

**PARTS LIST**  
**AE-740**  
**Electronic Typewriter**

**EDITION 3**  
**NOV. 2004**  
**001-03122-03**

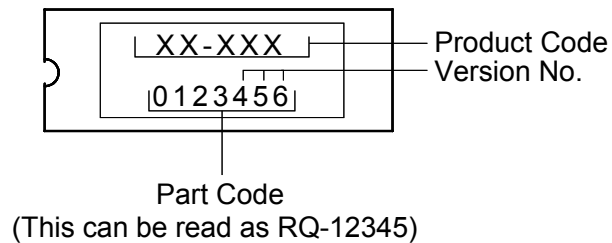
## PREFACE

---

1. This parts list is used to order parts required for the electronic typewriter.
2. The part code for the ROM including version number is printed on the protection label as illustrated below.

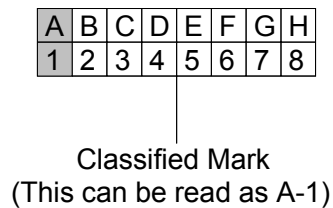
Be sure to use same part code for compatibility when ordering parts.

### Example:



3. The Classified mark is printed on the control PCB as illustrated below.
- Be sure to use the same classified mark for compatibility when ordering parts.

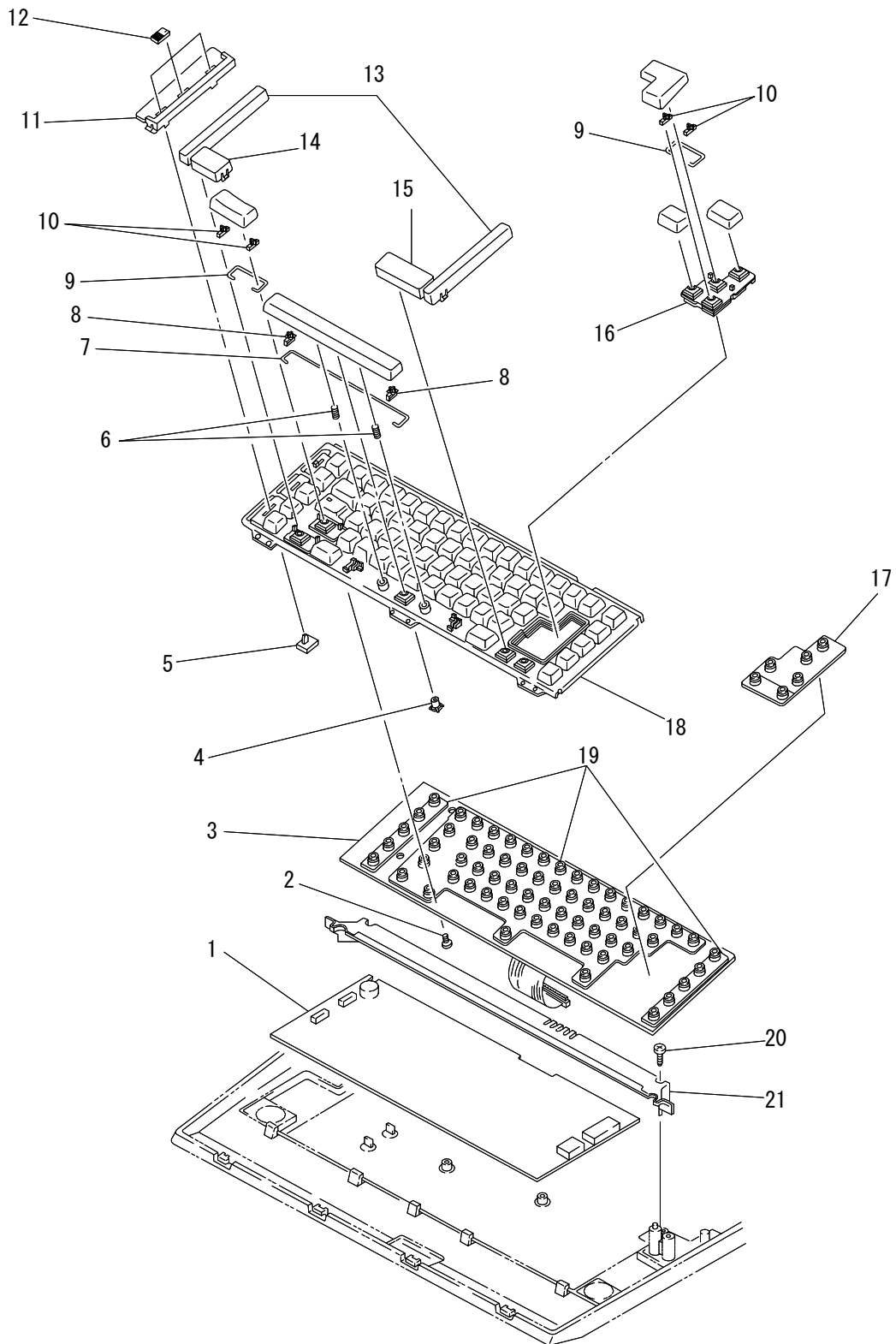
### Example:



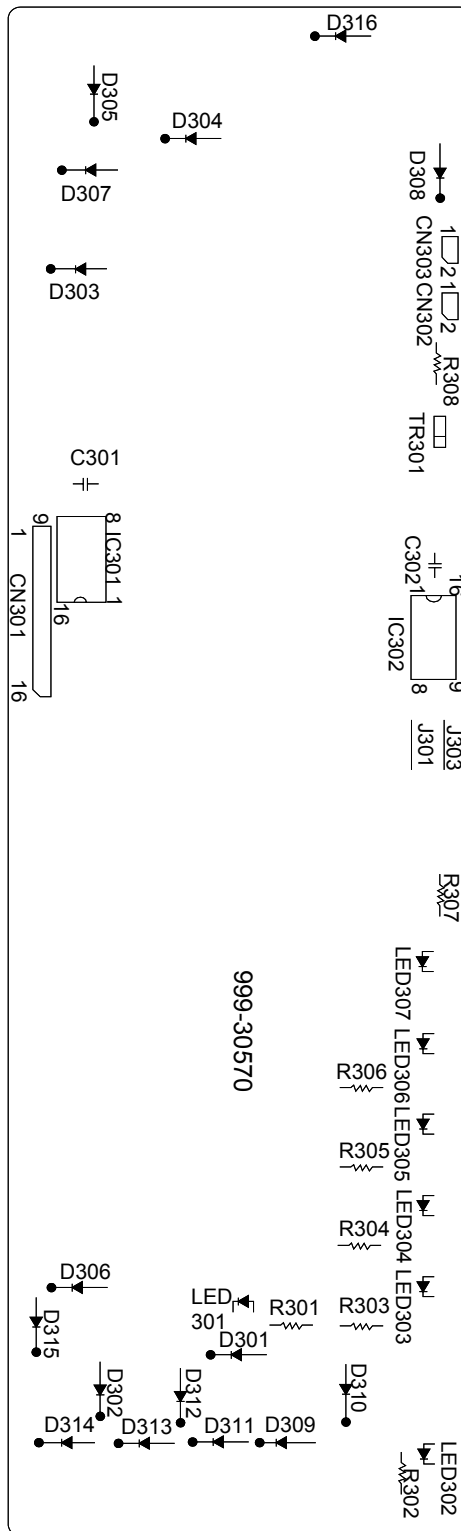
---

**TABLE OF CONTENTS**

KEYBOARD ASSEMBLY .....	1
KEYBOARD PCB ASSEMBLY .....	3
CONTROL PCB ASSEMBLY FOR INITIAL MODELS .....	5
CONTROL PCB ASSEMBLY FOR SECOND MODELS .....	11
CONTROL PCB ASSEMBLY FOR THIRD MODELS .....	17
CHASSIS FRAME .....	23
CHASSIS AND CARRIER DRIVE .....	25
CARRIER ASSEMBLY AND CARRIER FRAME .....	27
PRINT HEAD AND HAMMER DRIVE .....	29
RIBBON DRIVE BASE ASSEMBLY .....	31
RIBBON CASSETTE BASE .....	33
NOISE FILTER PCB ASSEMBLY .....	35
POWER SUPPLY PCB ASSEMBLY .....	37
POWER SUPPLY .....	39
HOUSING .....	41
FRONT COVER ASSEMBLY .....	43
ACCESSORIES .....	45
PACKING .....	47

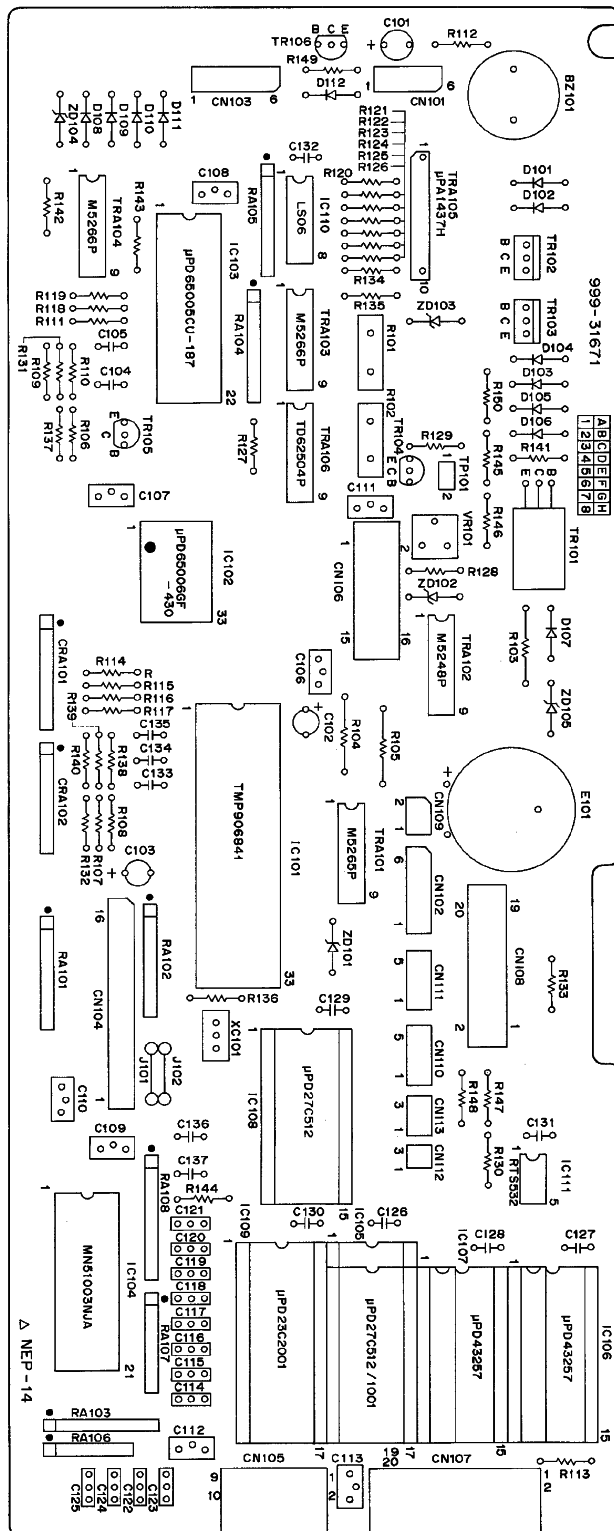


REF. NO.	FUNCTIONAL GROUP NAME PART CODE	KEYBOARD ASSEMBLY Q'TY	MODEL DESCRIPTION	AE-740
1	610-32000-00-60	1 SET	CONTROL PCB ASSEMBLY B-1	
	610-34010	1 SET	CONTROL PCB ASSEMBLY A-1 (EPROM:512K BIT/S RAM:256K BIT)	
	610-34040	1 SET	CONTROL PCB ASSEMBLY D-1 (EP ROM:4M BIT/S RAM 256K BIT)	
	610-34050	1 SET	CONTROL PCB ASSEMBLY E-1 (EP ROM:512K BIT/S RAM:1M BIT)	
	610-34060	1 SET	CONTROL PCB ASSEMBLY F-1 (EP ROM:4M BIT/S RAM:1M BIT)	
	610-35050	1 SET	CONTROL PCB ASSEMBLY E-2 (EP ROM:512K BIT/S RAM:1M BIT)	
	610-35060	1 SET	CONTROL PCB ASSEMBLY F-2 (EP ROM:4M BIT/S RAM:1M BIT)	
2	200-43040	17	SCREW M2.0 X 6	
3	190-41100-00-60	1 SET	KEYBOARD PCB ASSEMBLY	
4	500-40070	68	KEY STEM	
5	240-40095	3	SLIDE SWITCH	
6	240-40170	2	SPRING	
7	240-40150	1	CRANK A	
8	240-40130	2	KEY CAP HOOK A	
9	240-40160	2	CRANK B	
10	240-40140	4	KEY CAP HOOK B	
11	190-40030-22-19	1	SLIDE KEY HOUSING	
12	200-94800-22-19	3	SLIDE KEYPAD	
13	260-40190-22	2	KEYBOARD SPACER	
14	240-40180-22	1	KEY MASK L	
15	212-40200-22	1	KEY MASK B	
16	240-40050-35	1	RETURN KEY PANEL	
17	240-40110	1	RUBBER CONTACT SHEET (L)	
18	240-40042-35	1	KEYBOARD PANEL	
19	500-40101	1	RUBBER CONTACT SHEET	
20	330-00140	2	SCREW M3.0 X 8	
21	A00-71022-01-00	1	PCB COVER	
			KEYTOP ASSEMBLY WITH ON LINE	
	KAB-62113	1 SET	USA	
	KAB-62119	1 SET	HISPANO	
	KAB-64074	1 SET	NEW CANADIAN-FRENCH (ONLY CONTROL PCB ASSEMBLY FOR B-1, A-1, D-1, E-1 AND F-1)	
			KEYTOP ASSEMBLY WITHOUT ONLINE	
	KAC-72113	1 SET	USA	
	KAC-72020	1 SET	NEW CANADIAN-FRENCH (ONLY CONTROL PCB ASSEMBLY FOR E-2 AND F-2)	



**FUNCTIONAL  
GROUP NAME****KEYBOARD PCB ASSEMBLY****MODEL****AE-740**

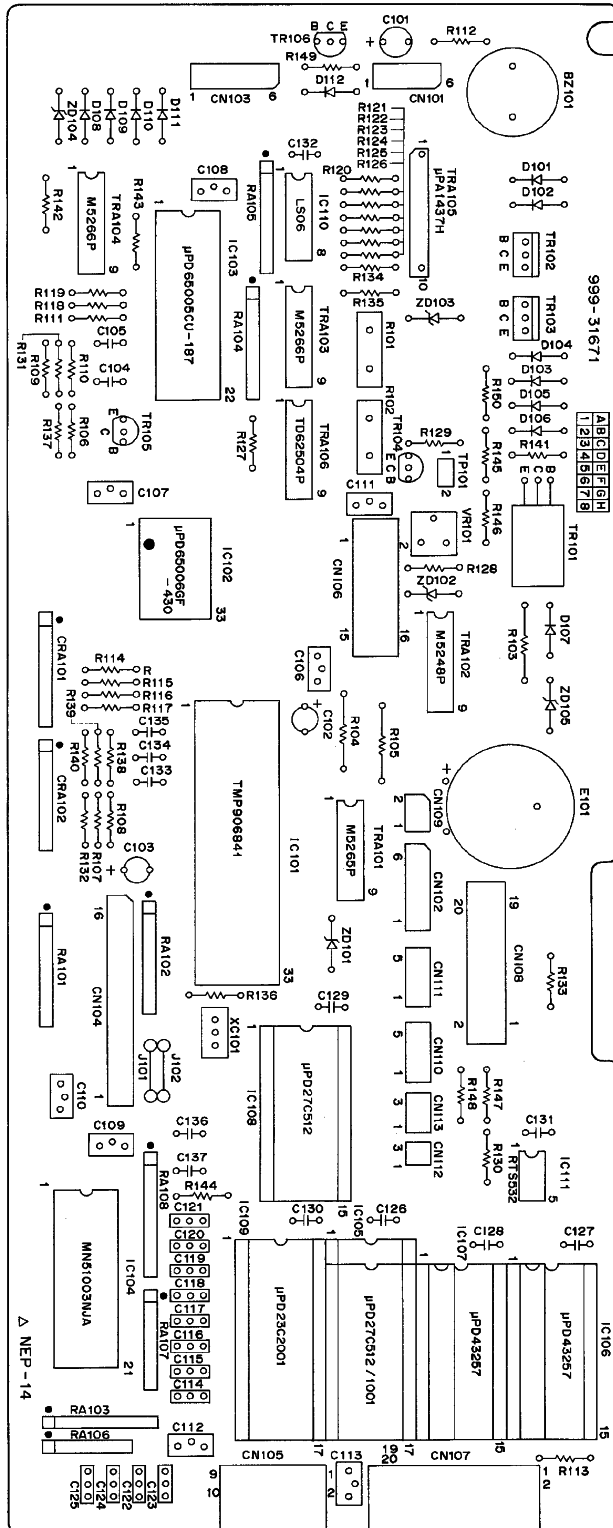
<b>REF. NO.</b>	<b>PART CODE</b>	<b>Q'TY</b>	<b>DESCRIPTION</b>
ASS'Y	190-41100-00-60	1 SET	KEYBOARD PCB ASSEMBLY
PCB	999-30570	1	KEYBOARD PCB
IC301	999-03805-00-70	1	TTL DECODER SN74LS145N
C301	999-12502-00-MU	1	CAPACITOR 0.047UF 25V
R301	330-30430-00-TA	1	RESISTOR 150OHM 1/4W
D301,302, 304,305, 308-316	998-05450	13	DIODE 1S2076A TD (HITACHI)
CN301	504-41015	1	FLAT CABLE ASSEMBLY 15 PINS
CN302	999-04547	1	CONNECTOR 2PINS (RED)
CN303	999-04546	1	CONNECTOR 2PINS (WHITE)
LED301	999-05640	1	LED SLR-34VC3F



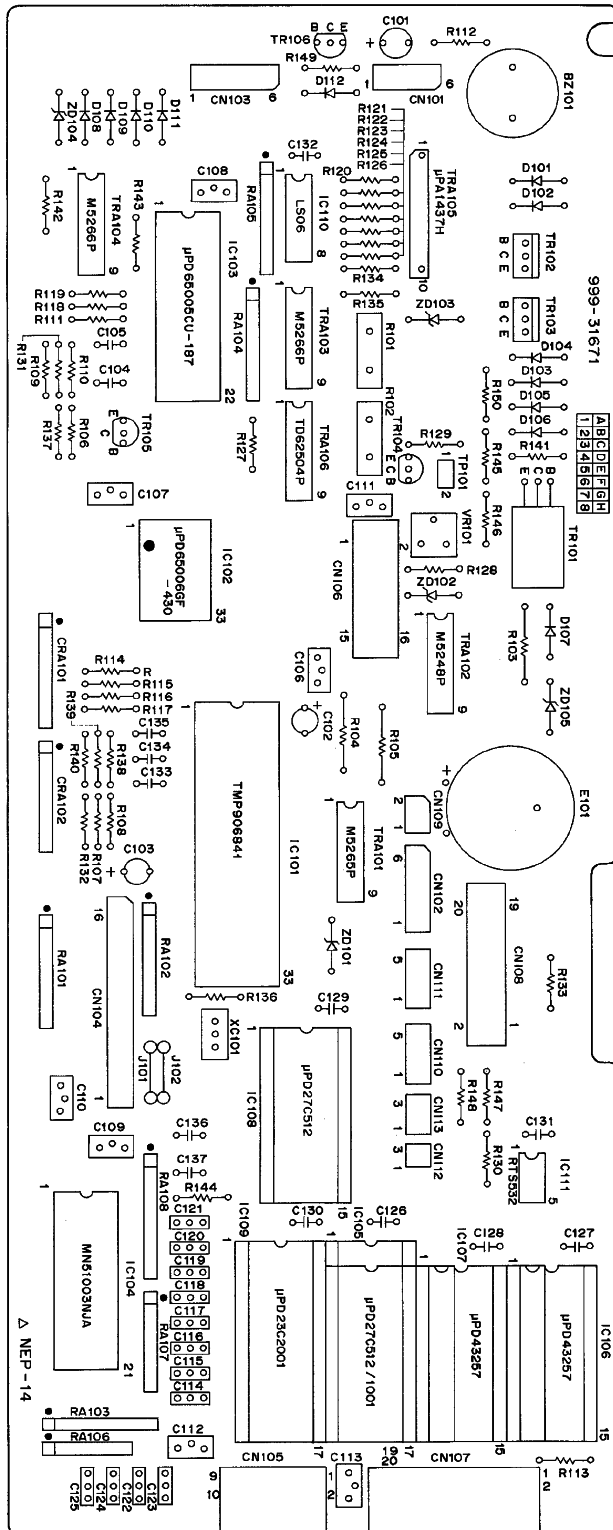


REF. NO.	FUNCTIONAL GROUP NAME PART CODE	CONTROL PCB ASSEMBLY FOR INITIAL MODELS Q'TY	MODEL DESCRIPTION	AE-740
ASS'Y	610-32000-00-60	1 SET	CONTROL PCB ASSEMBLY B-1	
PCB	999-31671	1	CONTROL PCB	
IC101	998-04420	1	CPU TMP90C841AN (TOSHIBA)	
IC102	999-13630	1	GATE ARRAY UPD65006GF-430 (NEC)	
IC103	999-03698	1	GATE ARRAY UPD65005CU-187 (NEC)	
IC104	998-05270	1	GATE ARRAY MN51003NJC (MATSUSHITA)	
IC105	*	1	EP ROM	
IC106	999-05760	1	S RAM CXK 58267AR-10L (SONY)	
IC107	*	1	OPTION RAM	
IC108,109	*	1	OPTIONAL SPELLING CHECK ROMS	
IC110	999-03812-00-70	1	TTL 74LS06	
IC111	999-04022	1	RESET IC PST532A (MITSUMI)	
FOR IC105, 109	999-04033	2	IC SOCKET 32 PINS	
FOR IC107, 108	220-31240-00-50	2	IC SOCKET 28 PINS	
TRA101	999-03422	1	TRANSISTOR ARRAY M5265P (MITSUBISHI)	
TRA102	999-03412-00-20	1	TRANSISTOR ARRAY M5248P (MITSUBISHI)	
TRA103,104	999-03429	2	TRANSISTOR ARRAY M5266P (MITSUBISHI)	
TRA105	999-03408-00-10	1	TRANSISTOR ARRAY UPA1437H (NEC)	
TRA106	650-31110	1	TRANSISTOR ARRAY TD62504 (TOSHIBA)	
TR101	999-03235	1	TRANSISTOR 2SD1785 (SANKEN)	
TR102	999-03258	1	TRANSISTOR 2SB1149 (NEC)	
TR103	999-03200	1	TRANSISTOR 2SB938A (MATSUSHITA)	
TR104	998-05330	1	TRANSISTOR 2SC3331S (SANYO)	
TR105	998-05320	1	TRANSISTOR 2SA1318 (SANYO)	
E101	999-05718-00-18	1	BATTERY CR2450-HE4 (SONY)	
XC101	999-05702	1	CERAMIC RESONATOR CST10.0MT (MURATA)	
BZ101	999-05632	1	BUZZER PKM17EPP-4004 (MURATA)	
CRA101,102	998-05360	2	CR ARRAY ARCL9C101J101K (MURATA)	
C101	999-02790	1	CAPACITOR 47UF 10V	
C102,103	999-02791	2	CAPACITOR 10UF 16V	
C104,105	999-12738	2	CAPACITOR 0.1UF 50V	
C106-113	999-05627	8	CAPACITOR 0.1UF 16V	
C114-125	999-05720-00-MU	12	CAPACITOR 100PF 50V	
C126-132	999-12545-00-MU	7	CAPACITOR 0.1UF 25V	
C133-137	650-31280-00-MU	5	CAPACITOR 100PF 50V	
RA101	999-02427-00-20	1	RESISTOR ARRAY 15KOHM X 8 1/8W	
RA102,103	355-32110	2	RESISTOR ARRAY 5.1KOHM X 8 1/8W	
RA104,105	650-31240	2	RESISTOR ARRAY 3.3KOHM X 8 1/8W	
RA106	999-02414	1	RESISTOR ARRAY 5.1KOHM X 6 1/8W	
RA107	353-30020	1	RESISTOR ARRAY 100OHM X 4 1/8W	
RA108	999-02419	1	RESISTOR ARRAY 100OHM X 5 1/8W	

\*REFER TO PAGE 10.

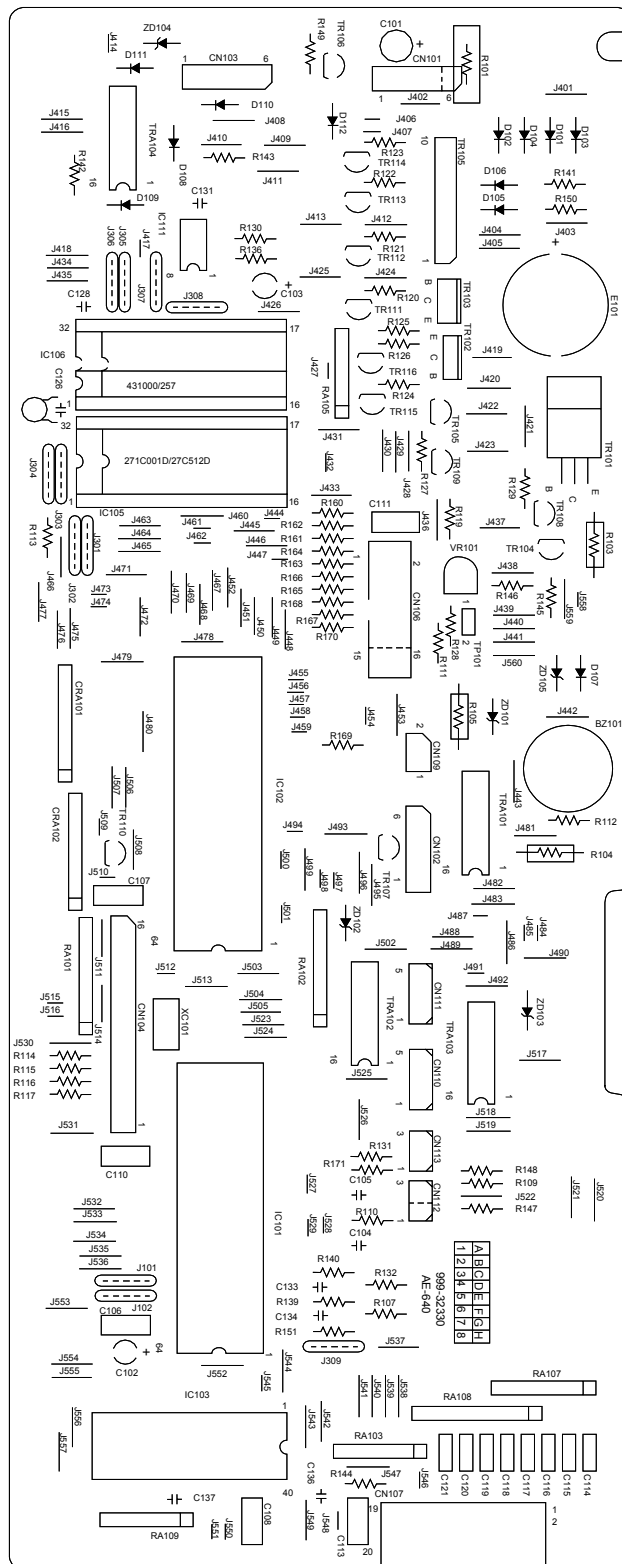


REF. NO.	FUNCTIONAL GROUP NAME PART CODE	CONTROL PCB ASSEMBLY FOR INITIAL MODELS Q'TY	MODEL DESCRIPTION	AE-740
R101	999-12009	1	RESISTOR 20OHM 2W	
R103	999-02051	1	METAL FILM RESISTOR 0.47OHM 1W	
R104,105	999-02095	2	METAL FILM RESISTOR 39OHM 1W	
R106	330-30420-00-TA	1	RESISTOR 51KOHM 1/4W	
R107	650-31180-00-TA	1	RESISTOR 39KOHM 1/4W	
R109-111	330-30440-00-TA	3	RESISTOR 10KOHM 1/4W	
R112-117,132	340-30481-00-TA	7	RESISTOR 5.1KOHM 1/4W	
R118,119	650-31160-00-TA	2	RESISTOR 3.3KOHM 1/4W	
R120-127	330-30470-00-TA	8	RESISTOR 3KOHM 1/4W	
R128	330-22300-00-TA	1	RESISTOR 2.2KOHM 1/4W	
R129	999-00122-00-TA	1	RESISTOR 1.2KOHM 1/4W	
R130	340-30570-00-TA	1	RESISTOR 1KOHM 1/4W	
R131	330-30490-00-TA	1	RESISTOR 470OHM 1/4W	
R134,135	330-31010-00-TA	2	RESISTOR 120OHM 1/4W	
R136-144, 146,150	650-31170-00-TA	11	RESISTOR 100OHM 1/4W	
R145	999-00161-00-TA	1	RESISTOR 160OHM 1/4W	
R147,148	999-00241-00-TA	2	RESISTOR 240OHM 1/4W	
ZD101-105	999-12917	5	ZENER DIODE 1AZ33 (TOSHIBA)	
D101-111	220-32090-30	11	DIODE S5566G TPA3	
CN101	999-04531	1	CONNECTOR 5 PINS	
CN102	220-32340	1	CONNECTOR 6 PINS (RED)	
CN103	220-32330	1	CONNECTOR 6 PINS (WHITE)	
CN104	999-04580	1	CONNECTOR 16 PINS	
CN105	999-04711	1	CONNECTOR 10 PINS	
CN106	999-04636	1	CONNECTOR 14 PINS	
CN107	999-04672	1	CONNECTOR 20 PINS	
CN109	220-31290	1	CONNECTOR 2 PINS (WHITE)	
CN110	999-04810	1	CONNECTOR 5 PINS	
CN111	999-04726	1	CONNECTOR 5 PINS	
CN112	999-04728	1	CONNECTOR 2 PINS	
CN113	998-05710	1	CONNECTOR 12 PINS (RED)	
TP101	999-04410-00-10	1	TEST PIN 2 PINS	
VR101	998-05690-00-20	1	VARIABLE RESISTOR KUSF687A132KOHM (KOWA)	

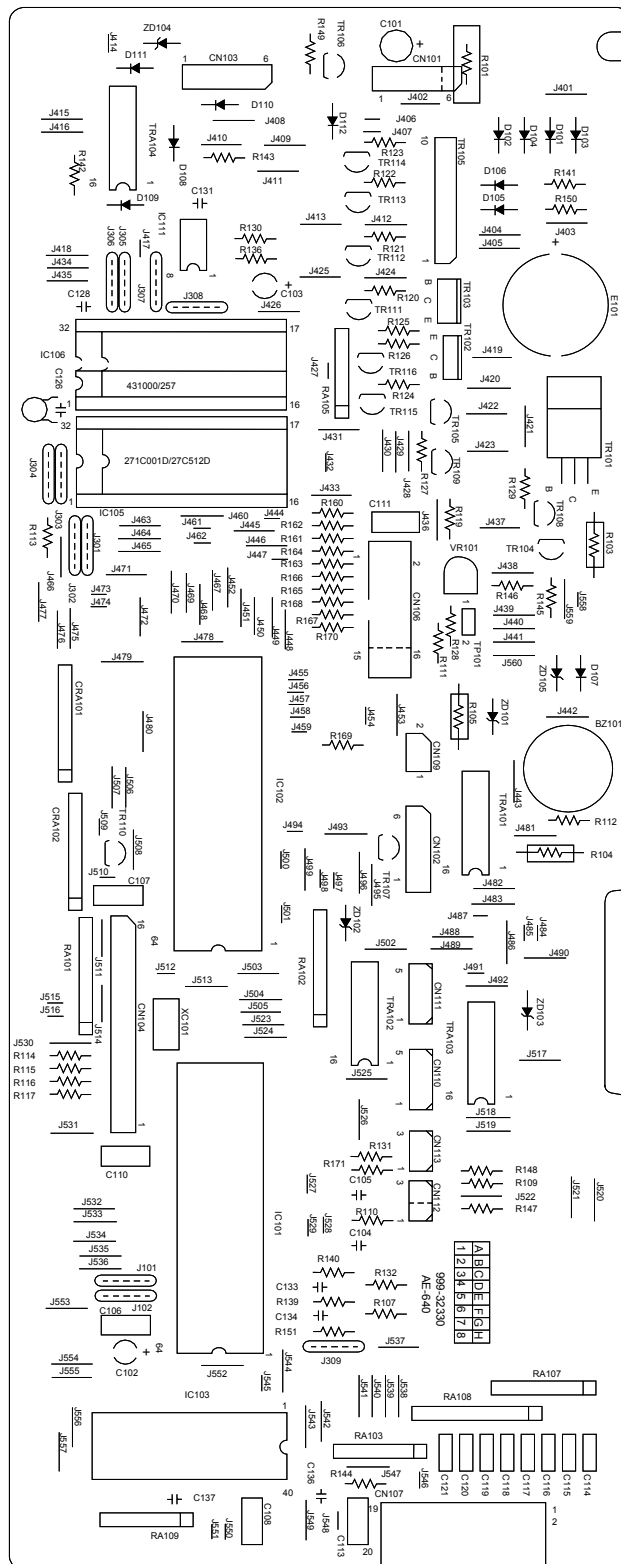


FUNCTIONAL GROUP NAME		CONTROL PCB ASSEMBLY FOR INITIAL MODELS		MODEL	AE-740
REF. NO.	PART CODE	Q'TY	DESCRIPTION		
IC105	RQ-03001	1	EP ROM NO. LIST USA		
	RQ-03021	1	HISPANO		
IC107	999-03771	1	OPTIONAL RAM NO. LIST * OPTION RAM UPD43257C-15LL (NEC)		
	001-02209	1	OPTION RAM MANUAL		
IC108,109	009-03120	1	OPTIONAL SPELLING CHECK ROMS AMERICAN/SPANISH		
	009-03110	1	AMERICAN/FRENCH		

\* SPECIFY MODEL NAME WHEN ORDERING.

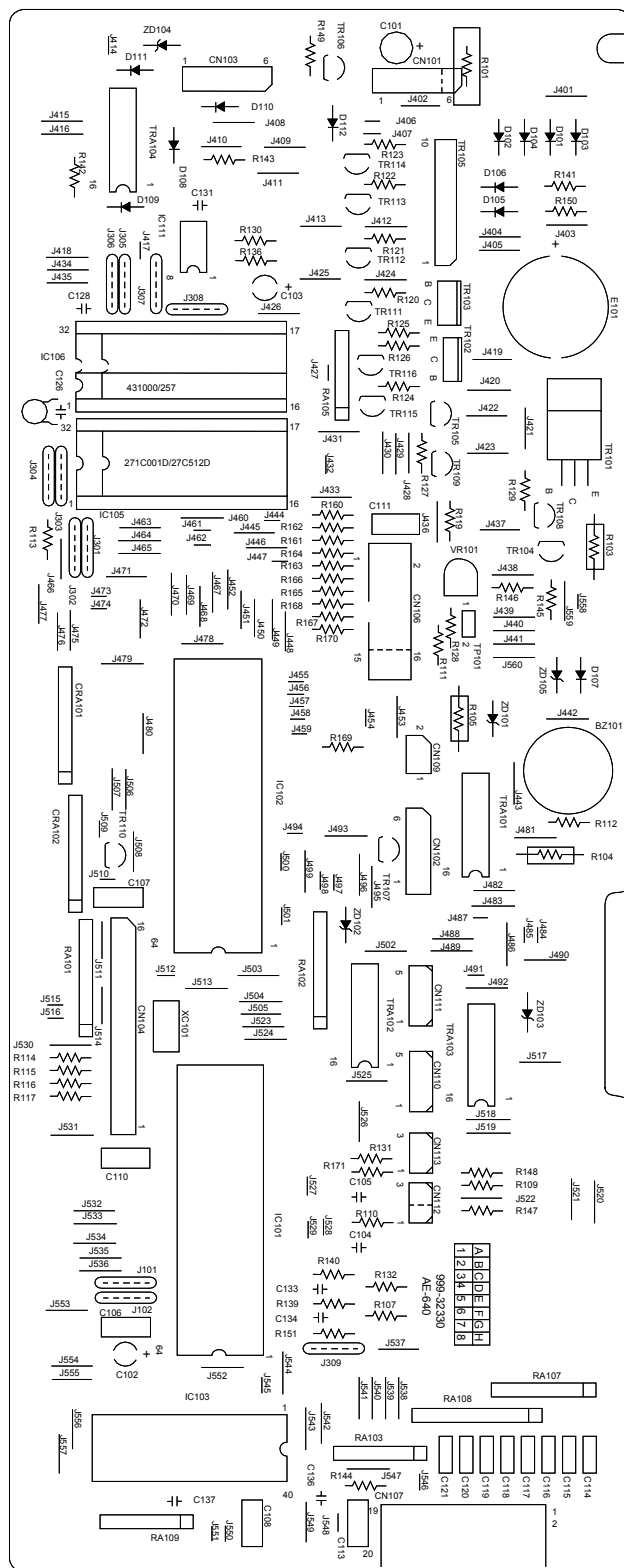


REF. NO.	FUNCTIONAL GROUP NAME PART CODE	CONTROL PCB ASSEMBLY FOR SECOND MODELS Q'TY	MODEL DESCRIPTION	AE-740
ASS'Y	610-34010	1 SET	CONTROL PCB ASSEMBLY A-1 (EPROM:512K BIT/S RAM:256K BIT)	
	610-34040	1 SET	CONTROL PCB ASSEMBLY D-1 (EP ROM:4M BIT/S RAM:256K BIT)	
	610-34050	1 SET	CONTROL PCB ASSEMBLY E-1 (EP ROM:512K BIT/S RAM:1M BIT)	
	610-34060	1 SET	CONTROL PCB ASSEMBLY F-1 (EP ROM:4M BIT/S RAM:1M BIT)	
PCB	999-32330	1	CONTROL PCB	
IC101	998-11030	1	CPU TMP91C641N (TOSHIBA)	
IC102	998-16820	1	GATE ARRAY TC140G06AN-0202 (TOSHIBA)	
IC103	998-05270	1	GATE ARRAY MN51003NJC (MATSUSHITA)	
IC105	*	1	EP ROM	
FOR IC105	999-04033	1	IC SOCKET 32 PINS	
IC106	999-03771-00-10	1	S RAM 256K BIT UPD43257C-15LL NEC)	
	998-33440	1	OPTIONAL S RAM 1M BIT	
		1	S RAM TC551001CP-85L (TOSHIBA)	
IC111	999-04022	1	RESET IC PST532A (MITSUMI)	
TRA101,104	999-03422	2	TRANSISTOR ARRAY M5265P (MITSUBISHI)	
TRA102,103	999-03412-00-20	2	TRANSISTOR ARRAY M5248P (MITSUBISHI)	
TRA105	999-03408-00-10	1	TRANSISTOR ARRAY UPA1437H (NEC)	
TR101	999-03235	1	TRANSISTOR 2SD1785 (SANKEN)	
TR102	999-03258	1	TRANSISTOR 2SB1149 (NEC)	
TR103	999-03200	1	TRANSISTOR 2SB938A (MATSUSHITA)	
TR104	998-05330	1	TRANSISTOR 2SC3331S (SANYO)	
TR105	998-05320	1	TRANSISTOR 2SA1318 (SANYO)	
TR107-116	999-03233-00-12	1	TRANSISTOR 2SC3656 (SANYO)	
E101	999-05649-00-12	1	BATTERY CR2032-T14-1 (SANYO)	
XC101	999-05702	1	CERAMIC RESONATOR CST10.0MTW (MURATA)	
BZ101	999-05632	1	BUZZER PKM17EPP-4004 (MURATA)	
CRA101,102	998-16830	2	CR ARRAY ARCL9L102J102K (MURATA)	
C101	999-02790	1	CAPACITOR 47UF 10V	
C102,103	999-02791	2	CAPACITOR 10UF 16V	
C104,105	999-12738-00-10	2	CAPACITOR 0.1UF 50V	
C106-108, 110,111,113	999-05627	6	NOISE FILTER 0.1UF 16V	
C114-121	999-05720-00-MU	8	CAPACITOR 100PF 50V	
C126,128,131	999-12545-00-MU	3	CAPACITOR 0.1UF 25V	
C133,134	999-12513	2	CAPACITOR 1000UF 50V	
C136,137	650-31280-00-MU	2	CAPACITOR 100PF 50V	

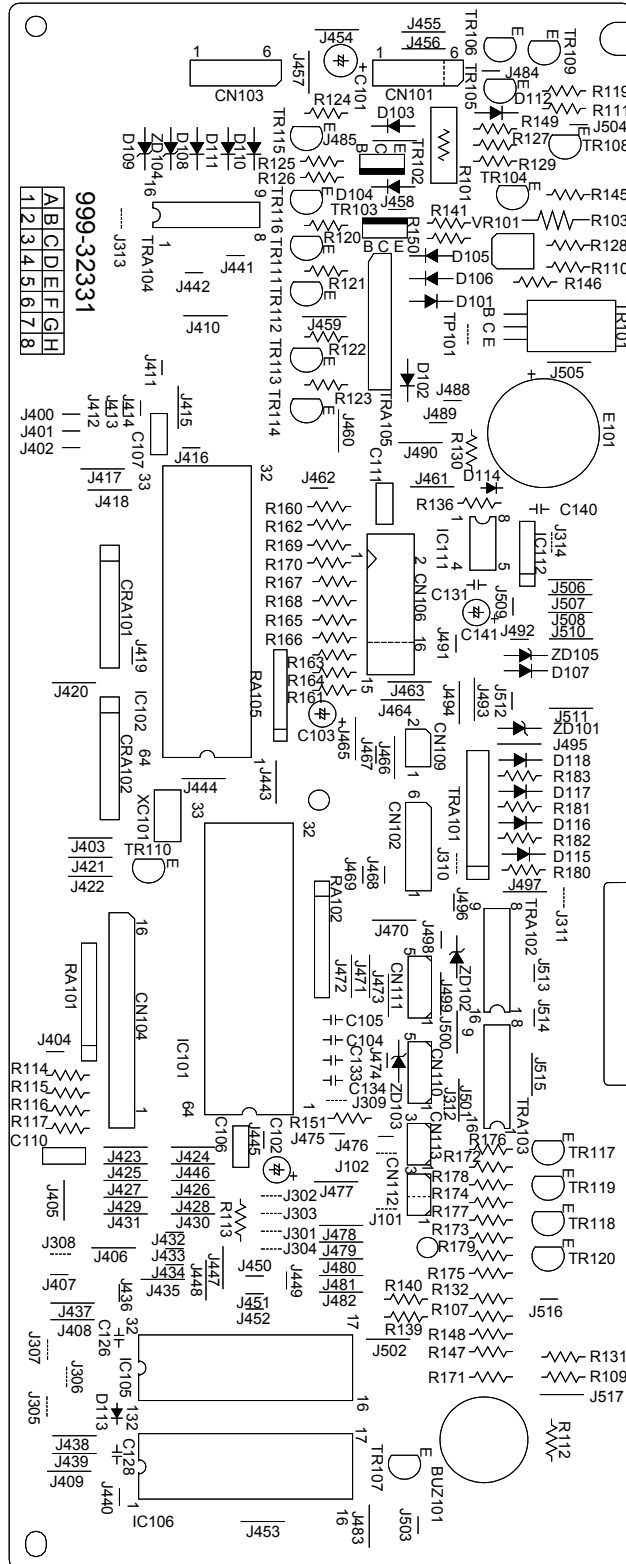




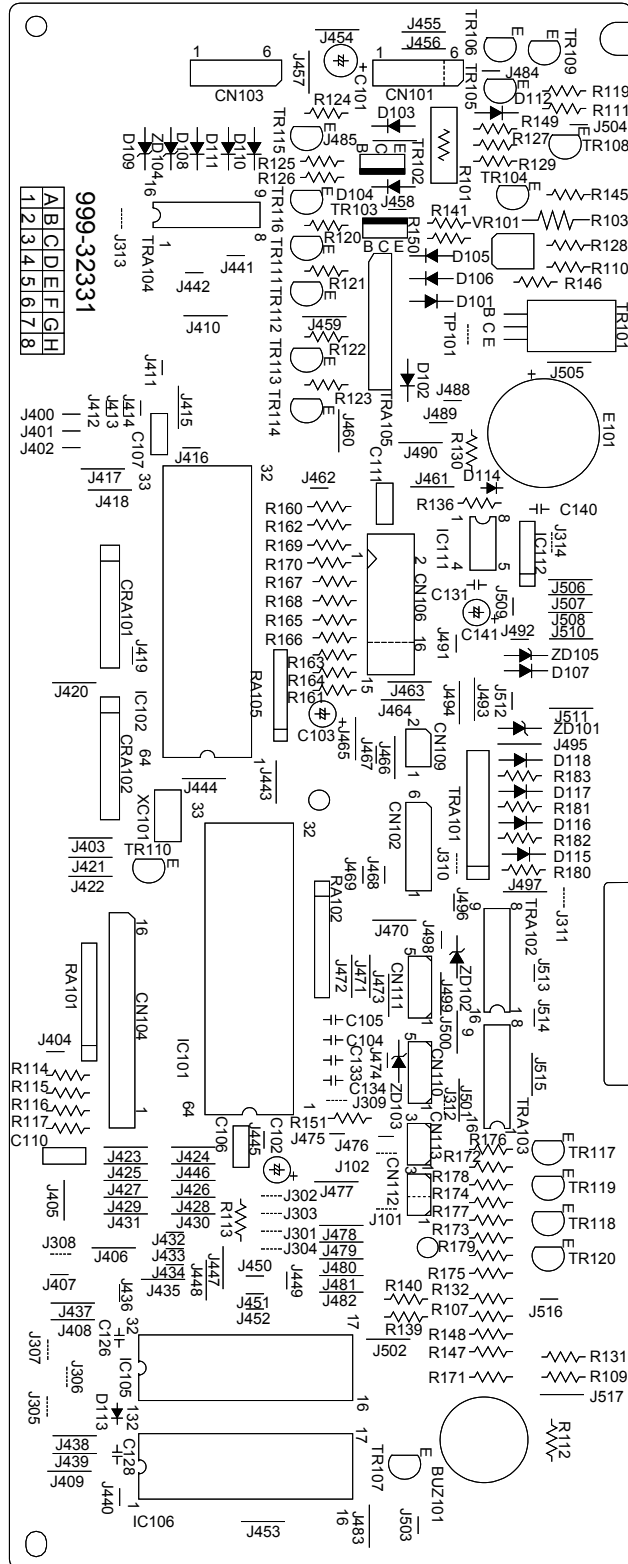
REF. NO.	FUNCTIONAL GROUP NAME PART CODE	CONTROL PCB ASSEMBLY FOR SECOND MODELS Q'TY	MODEL AE-740 DESCRIPTION
RA101	999-02427-00-20	1	RESISTOR ARRAY 15KOHM X 8 1/8W
RA102	355-32110	1	RESISTOR ARRAY 5.1KOHM X 8 1/8W
RA103, 109	999-02414	1	RESISTOR ARRAY 5.1KOHM X 6 1/8W
RA105	650-31250	1	RESISTOR ARRAY 3.3KOHM X 6 1/8W
RA107	353-30020	1	RESISTOR ARRAY 100OHM X 4 1/8W
RA108	999-02419	1	RESISTOR ARRAY 100OHM X 5 1/8W
R101	999-12009	1	RESISTOR 20OHM 2W
R103	999-02051	1	RESISTOR 0.47OHM 1W
R104, 105	999-02095	2	RESISTOR 39OHM 1W
R107	650-31180-00-TA	1	RESISTOR 39KOHM 1/4W
RA109	999-00183-00-TA	1	RESISTOR 18KOHM 1/4W
R110, 111, 151	330-30440-00-TA	3	RESISTOR 10KOHM 1/4W
R112-117, 132	340-30481-00-TA	7	RESISTOR 5.1KOHM 1/4W
R119	650-31160-00-TA	1	RESISTOR 3.3KOHM 1/4W
R120 - 127	330-30470-00-TA	8	RESISTOR 3KOHM 1/4W
R128	330-22300-00-TA	1	RESISTOR 2.2KOHM 1/4W
R129	999-00122-00-TA	1	RESISTOR 1.2KOHM 1/4W
R130, 139, 140, 171	999-00102	4	RESISTOR 1KOHM 1/4W
R131	999-00362-00-TA	1	RESISTOR 3.6KOHM 1/4W
R136, 141, 144, 146, 150, 160-170	650-31170-00-TA	16	RESISTOR 100OHM 1/4W
R142, 143	999-00111-00-TA	2	RESISTOR 110OHM 1/4W
R145	999-00161-00-TA	1	RESISTOR 160OHM 1/4W
R148	999-00241-00-TA	1	RESISTOR 240OHM 1/4W
ZD101-105	999-12917	5	ZENER DIODE 1AZ33 (TOSHIBA)
D101 - 111	220-32090-00-30	11	DIODE S5566G (TOSHIBA)
CN101	999-04531	1	CONNECTOR 5 PINS
CN102	220-32340	1	CONNECTOR 6 PINS (RED)
CN103	220-32330	1	CONNECTOR 6 PINS (WHITE)
CN104	999-04580	1	CONNECTOR 16 PINS
CN106	999-04636	1	CONNECTOR 14 PINS
CN107	999-04672	1	CONNECTOR 20 PINS
CN109	220-31290	1	CONNECTOR 2 PINS (WHITE)
CN110	999-04810	1	CONNECTOR 5 PINS
CN111	999-04726	1	CONNECTOR 5 PINS
CN112	999-04728	1	CONNECTOR 2 PINS
CN113	998-05710	1	CONNECTOR 12 PINS (RED)
TP101	999-04410-00-10	1	TEST PIN 2 PINS
VR101	998-05690-00-20	1	VARIABLE RESISTOR 2KOHM



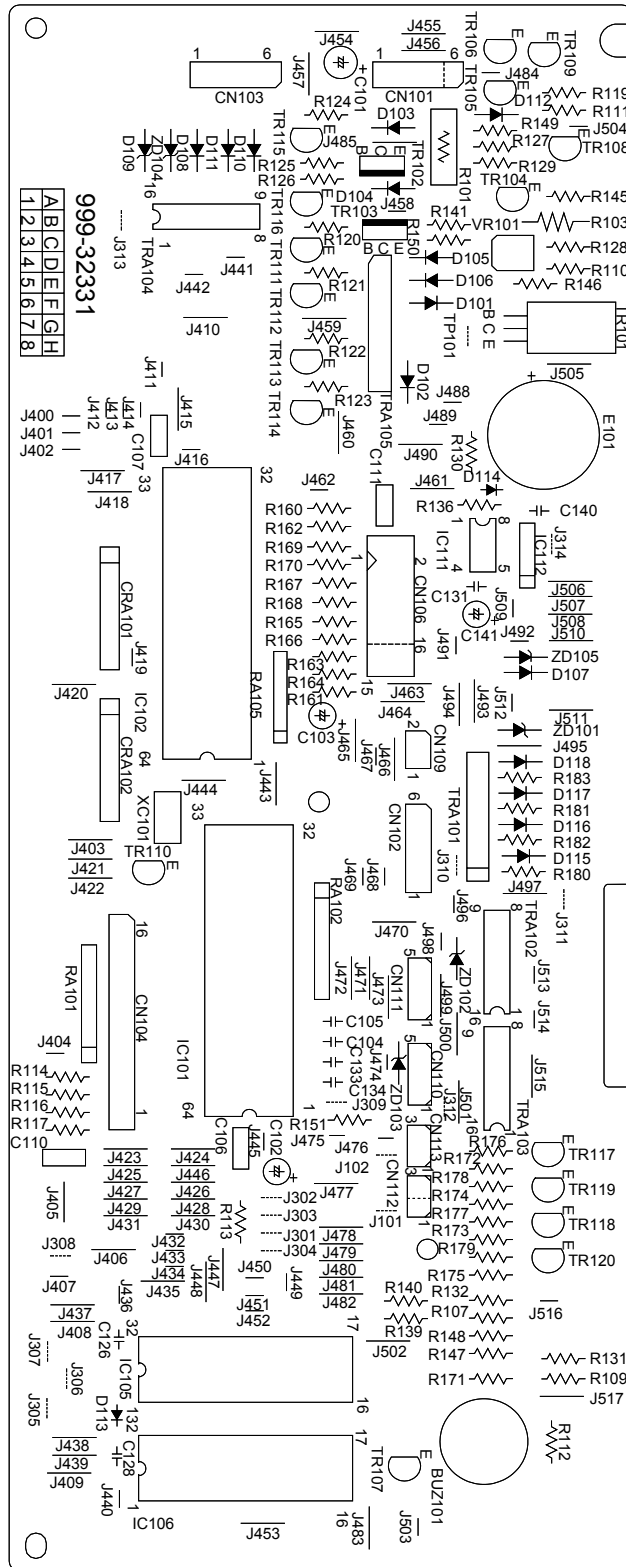
FUNCTIONAL GROUP NAME		CONTROL PCB ASSEMBLY FOR SECOND MODELS		MODEL	AE-740
REF. NO.	PART CODE	Q'TY	DESCRIPTION		
IC105	RQ-04211	1	USA		
	RQ-04241	1	NEW CANADIAN-FRENCH		
	RQ-04411	1	HISPANO		
IC105	RQ-04622	1	SPELLING CHECK ROM NO. LIST AMERICAN		
	RQ-04642	1	CANADA-FRENCH		
	RQ-04632	1	HISPANO		



REF. NO.	FUNCTIONAL GROUP NAME PART CODE	CONTROL PCB ASSEMBLY FOR THIRD MODELS Q'TY	MODEL DESCRIPTION	AE-740
ASS'Y	610-35050	1 SET	CONTROL PCB ASSEMBLY E-2 (EP ROM:512K BIT/S RAM:1M BIT)	
	610-35060	1 SET	CONTROL PCB ASSEMBLY F-2 (EP ROM:4M BIT/S RAM:1M BIT)	
PCB	999-32331	1	CONTROL PCB	
IC101	998-11030	1	CPU TMP91C641N (TOSHIBA)	
	998-11040	1	CPU TMP90C141N (TOSHIBA)	
IC102	998-16820	1	GATE ARRAY TC140G06AN-0202 (TOSHIBA)	
IC103	998-05270	1	GATE ARRAY MN51003NJC (MATSUSHITA)	
IC105	RQ-04203	1	USA	
	RQ-04593	1	USA WITH SPELLING CHECK	
FOR IC105, 106	999-04033	2	IC SOCKET 32 PINS	
IC106	998-30310	1	S RAM 2B257SLC70 (EPSON)	
	998-33440	1	S RAM TC551001CP-85L (TOSHIBA)	
	998-43290	1	S RAM UPD431000ACZ-70LL (NEC)	
IC111 OR	999-04022	1	RESET IC PST532A (MITSUMI)	
IC112	999-04015	1	RESET IC M51953BL (MITSUBISHI)	
TRA101	999-53080	1	TRANSISTOR ARRAY STA403A (SANKEN)	
TRA102, 103,104	999-03412-00-20	3	TR ARRAY M5248P	
TRA105	999-03408-00-10	1	TRANSISTOR ARRAY UPA1437H (NEC)	
TR101	999-03235	1	TRANSISTOR SD1785 (SANKEN)	
	999-03235	1	TRANSISTOR 2SD1889 (ROHM)	
TR102	999-03258	1	TRANSISTOR 2SB1149 (NEC)	
TR103	999-03200	1	TRANSISTOR 2SB938A (MATSUSHITA)	
TR104	998-05330	1	TRANSISTOR 2SC3331S (SANYO)	
		1	TRANSISTOR 2SC4641 (SANYO)	
TR105, 117-120	998-05320	5	TRANSISTOR 2SA1318 (SANYO)	
	330-30220	5	TRANSISTOR 2SA562 (NEC)	
		5	TRANSISTOR 2SA952 (NEC)	
	998-18880	5	TRANSISTOR 2SA1783 (SANYO)	
TR107-116	999-03233-00-12	1	TRANSISTOR 2SC3656 (SANYO)	
E101	999-05649	1	BATTERY CR2032	
XC101	998-46190	1	CERAMIC RESONATOR 10MHZ	
		1	CERAMIC RESONATOR CST10M0G-53-B0 (MURATA)	
BZ101	999-05632	1	BUZZER PKM17EPP-4004 (MURATA)	
CRA101,102	998-16830	2	CR ARRAY ARCL9L102J102K (MURATA)	

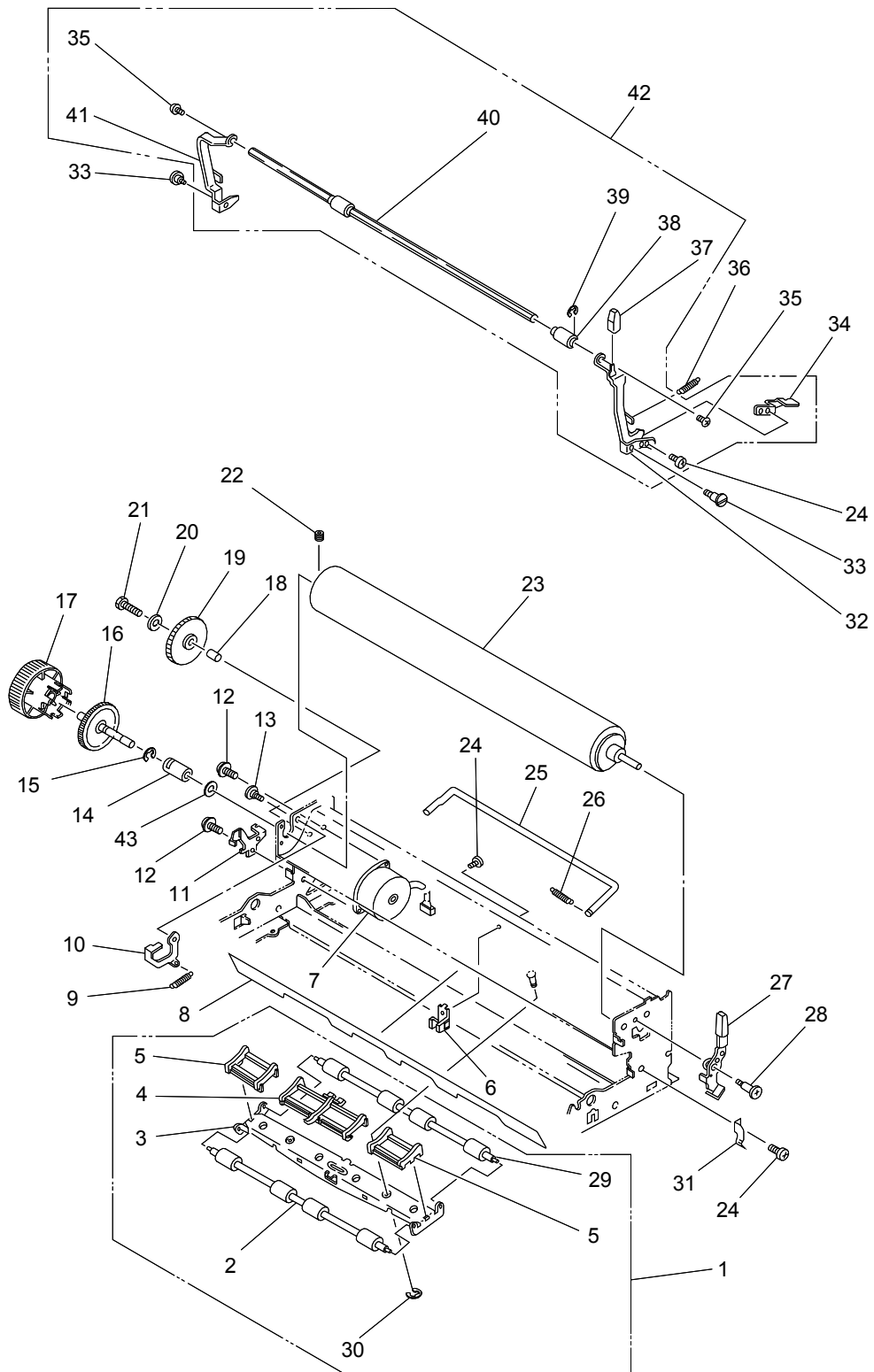


REF. NO.	FUNCTIONAL GROUP NAME PART CODE	CONTROL PCB ASSEMBLY FOR THIRD MODELS Q'TY	MODEL DESCRIPTION	AE-740
C101	999-02790-00-30	1	CAPACITOR 47UF 10V	
	998-05100	1	CAPACITOR 47UF 16V	
C102	999-02791	1	CAPACITOR 10UF 16V	
C104,105	999-12738-00-10	2	CAPACITOR 0.1UF 50V	
C106,107, 110,111	999-05627	4	NOISE FILTER 0.1UF 16V	
	998-20480	4	NOISE FILTER 0.1UF 16V	
C126,128, 131	999-12545	3	CAPACITOR 0.1UF 25V	
	980-00660	3	CAPACITOR 0.1UF 25V	
C133,134	999-12513-00-MU	2	CAPACITOR 1000PF 50V ONLY RESET IC FOR IC111 (PST532A)	
C131	999-12545	1	CAPACITOR 0.1UF 25V ONLY RESET IC FOR IC112 (M51953BL)	
C140	999-12540	1	CAPACITOR 0.22UF 50V	
C141	999-02791	1	CAPACITOR 10UF 16V	
RA101	999-02427	1	RESISTOR ARRAY 15KOHM X 8 1/8	
RA102	355-32110-00-20	1	RESISTOR ARRAY 5.1KOHM X 8 1/8	
RA105	650-31250	1	RESISTOR ARRAY 3.3KOHM X 6 1/8	
R101	999-12009	1	RESISTOR 20OHM 2W	
R103	999-02051	1	RESISTOR 0.47OHM 1W	
R107	650-31180-00-TA	1	RESISTOR 39KOHM 1/4W	
RA109	999-00183-00-TA	1	RESISTOR 18KOHM 1/4W	
R110,111, 151,172- 175	330-30440-00-TA	7	RESISTOR 10KOHM 1/4W	
R112-117, 132,176-179	340-30481-00-TA	11	RESISTER 5.1KOHM 1/4W	
R119	650-31160-00-TA	1	RESISTOR CARBON 3.3KOHM 1/4W	
R120-127	330-30470-00-TA	8	RESISTOR 3KOHM 1/4W	
R128	330-22300-00-TA	1	RESISTOR 2.2KOHM 1/4W	
R129,180-183	999-00122-00-TA	5	RESISTER 1.2KOHM 1/4W	
R130,139, 140,171	999-00102	4	RESISTOR 1KOHM 1/4W	
R131	999-00362-00-TA	1	RESISTOR 3.6KOHM 1/4W	
R141,146, 150,160-170	650-31170-00-TA	14	RESISTOR 100OHM 1/4W	
R145	999-00161-00-TA	1	RESISTOR 160OHM 1/4W	
R148	999-00241-00-TA	1	RESISTOR CARBON 240OHM 1/4W ONLY RESET IC FOR IC111 (PST532A)	
R136	650-31170-00-TA	1	RESISTOR 100OHM 1/4W	
ZD101-105	999-12917	5	DIODE ZENER 1AZ33 (TOSHIBA)	
D101-111, 115-118	220-32090-00-30	15	DIODE S5566G (TOSHIBA)  ONLY RESET IC FOR IC112 (M51953)	
D113,114	990-00220	2	DIODE MA2C723 (MATSUSHITA)	





	FUNCTIONAL GROUP NAME	CONTROL PCB ASSEMBLY FOR THIRD MODELS	MODEL	AE-740
REF. NO.	PART CODE	Q'TY	DESCRIPTION	
CN101	999-04531	1	CONNECTOR 5 PINS (WHITE)	
CN102	220-32340	1	CONNECTOR 6 PINS (RED)	
CN103	220-32330	1	CONNECTOR 6 PINS (WHITE)	
CN104	999-04580	1	CONNECTOR 16 PINS	
CN106	999-04636	1	CONNECTOR 14 PINS	
CN109	220-31290	1	CONNECTOR 2 PINS (WHITE)	
CN110	999-04810	1	CONNECTOR 5 PINS	
CN111	999-04726	1	CONNECTOR 5 PINS	
CN112	999-04728	1	CONNECTOR 2 PINS	
CN113	998-05710	1	CONNECTOR 12 PINS (RED)	
TP101	998-17640	1	CONNECTOR 2 PINS	
VR101	998-05690-00-20	1	VARIABLE RESISTOR 2KOHM	
J310-313	998-04350	4	JUMPER WIRE	
J302,304, 305,308	998-04350	4	E-2 ASSEMBLY JUMPER WIRE	
J301,303, 305,308	998-04350	4	F-2 ASSEMBLY JUMPER WIRE	
J314	998-04350	1	ONLY RESET IC FOR IC112 (M51953BL) JUMPER WIRE	



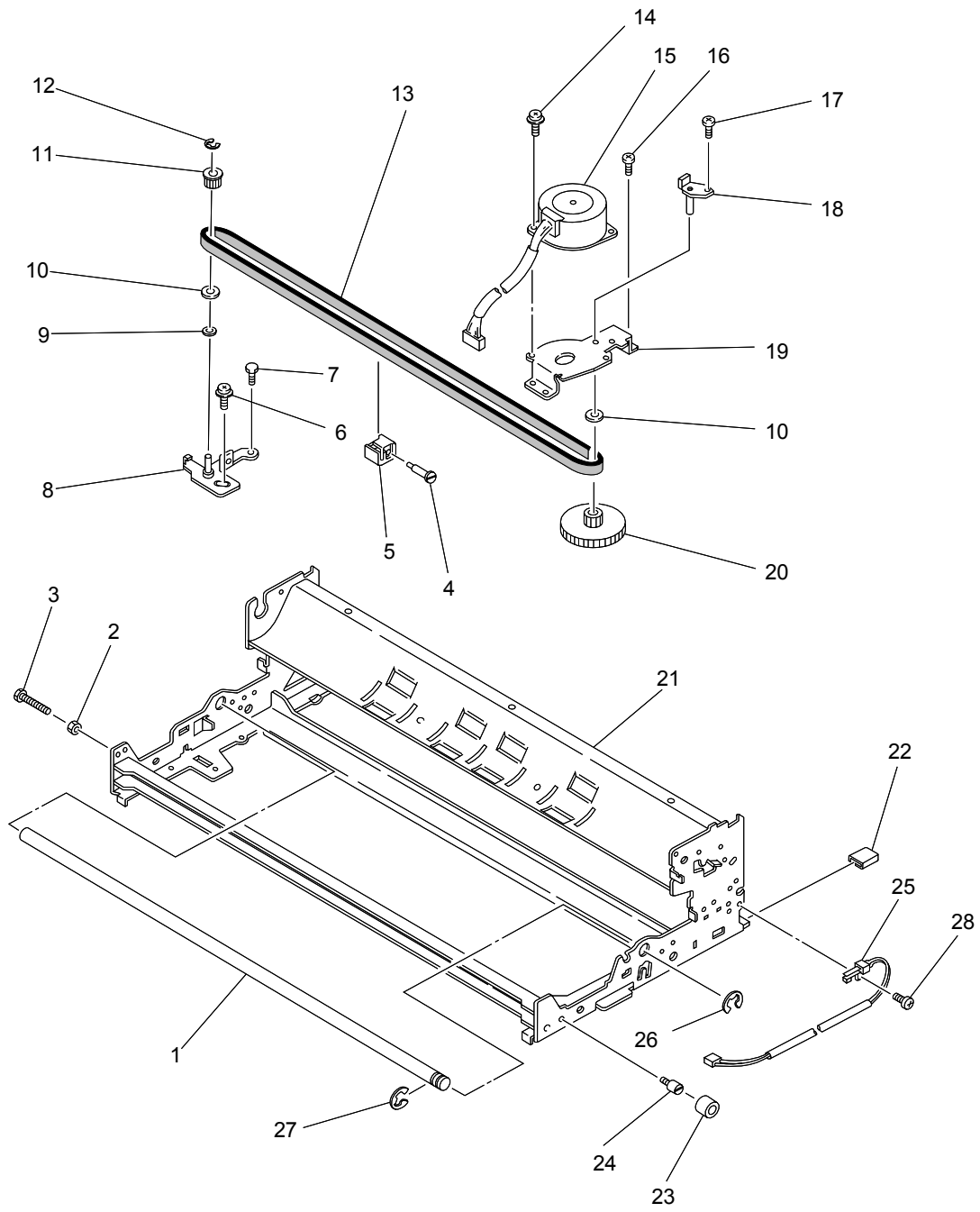
**FUNCTIONAL  
GROUP NAME**

**CHASSIS FRAME**

**MODEL**

**AE-740**

<b>REF. NO.</b>	<b>PART CODE</b>	<b>Q'TY</b>	<b>DESCRIPTION</b>
1	330-61071-00-10	1 SET	FEED ROLLER HOLDER ASSEMBLY
2	330-61372	1	FEED ROLLER (FRONT)
3	330-61071	1	FEED ROLLER HOLDER
4	330-61342	1	PAPER GUIDE B
5	330-61330	2	PAPER GUIDE A
6	200-63140	1	RELEASE SHAFT BRACKET
7	190-63015	1	INDEX MOTOR
8	A01-61040	1	PAPER DEFLECTOR
9	610-63020	1	LOCK SPRING
10	610-63030	1	LOCK PLATE
11	410-61061	1	BAIL ARM STOPPER
12	551-10040	2	SCREW M3.0 X 5
13	610-63050	1	LOCK LEVER SCREW
14	610-63040	1	PLATEN METAL
15	501-70510	1	RETAINING RING D=5.0
16	A00-63070	1	PLATEN GEAR
17	A00-70100-22-00	1	PLATEN KNOB
18	200-63100	1	IDLE GEAR COLLAR
19	260-63090	1	INDEX IDLE GEAR
20	220-89160	1	WASHER 4.2 X 11 X 1
21	200-81030	1	SCREW M3.5 X 16
22	011-00150	2	SCREW M4.0 X 4
23	A00-63015	1	REMOVAL PLATEN
24	011-00010	3	SCREW M3.0 X 4
25	500-63130	1	PAPER RELEASE SHAFT
26	200-63230	1	RELEASE SHAFT SPRING
27	610-63010-22	1	RELEASE LEVER ASSEMBLY
28	200-63120	1	PAPER RELEASE SCREW
29	330-61381	1	FEED ROLLER (REAR)
30	011-02030	2	RETAINING RING D=2.5
31	200-63200	1	BAIL ARM LATCH SPRING
32	A00-63110-00-00	1	PAPER BAIL ARM (RIGHT)
33	200-63180	2	BAIL ARM SCREW
34	A00-63100	1	INJECTOR SWITCH LEVER
35	300-70110	2	SCREW M2.6 X 5
36	200-63191	2	BAIL ARM SPRING
37	200-70170-22	1	LEVER CAP
38	301-26061	3	PAPER SCALE ROLLER
39	350-61300	3	ROLLER SPRING
40	A00-63170-00-00	1	PAPER BAIL
41	A00-63120-00-00	1	PAPER BAIL ARM (LEFT)
42	A00-63175-22	1	PAPER SCALE ASSEMBLY
43	501-10891	1	WASHER 6.0 X 11 X 0.5



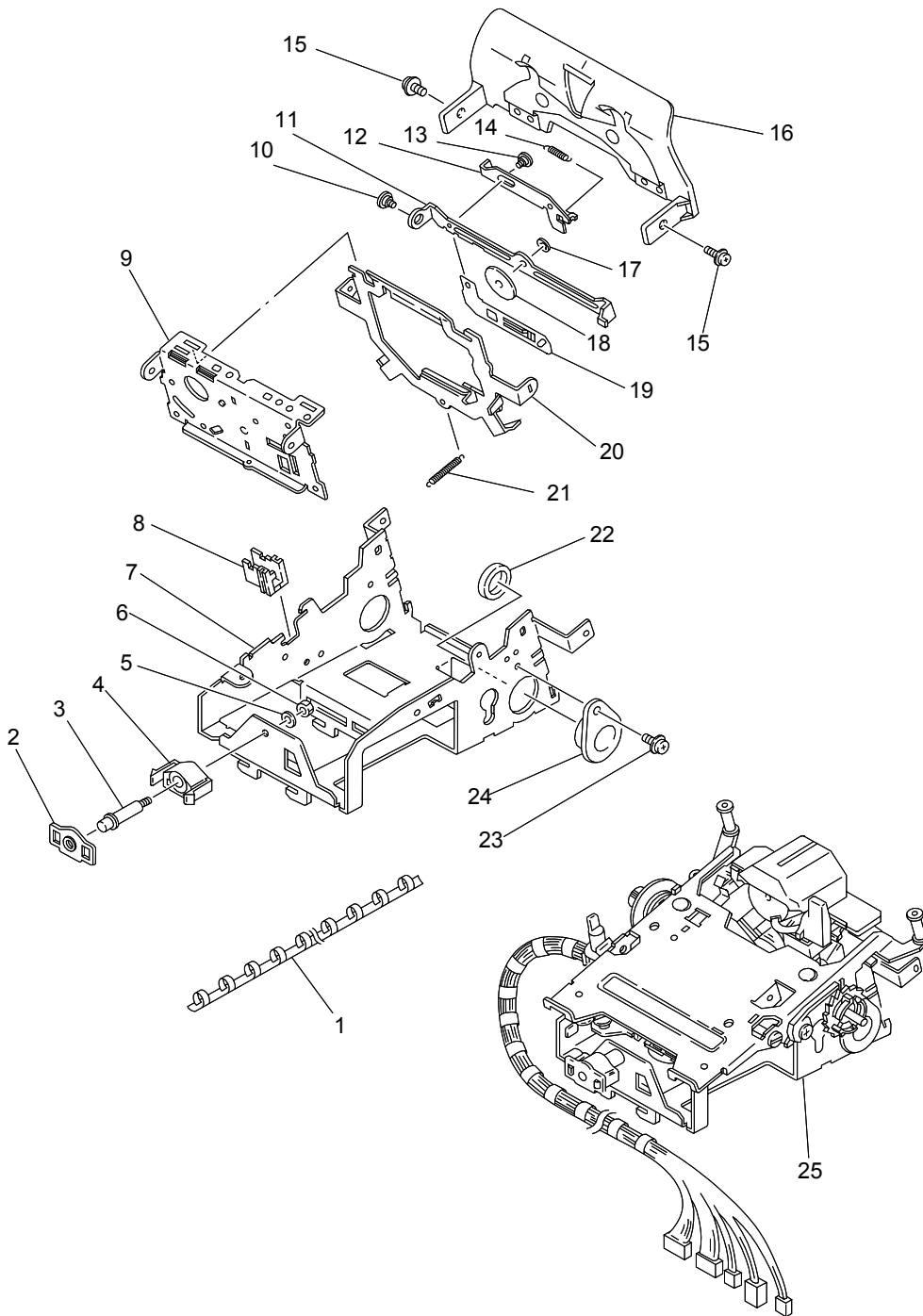
**FUNCTIONAL  
GROUP NAME**

**CHASSIS AND CARRIER DRIVE**

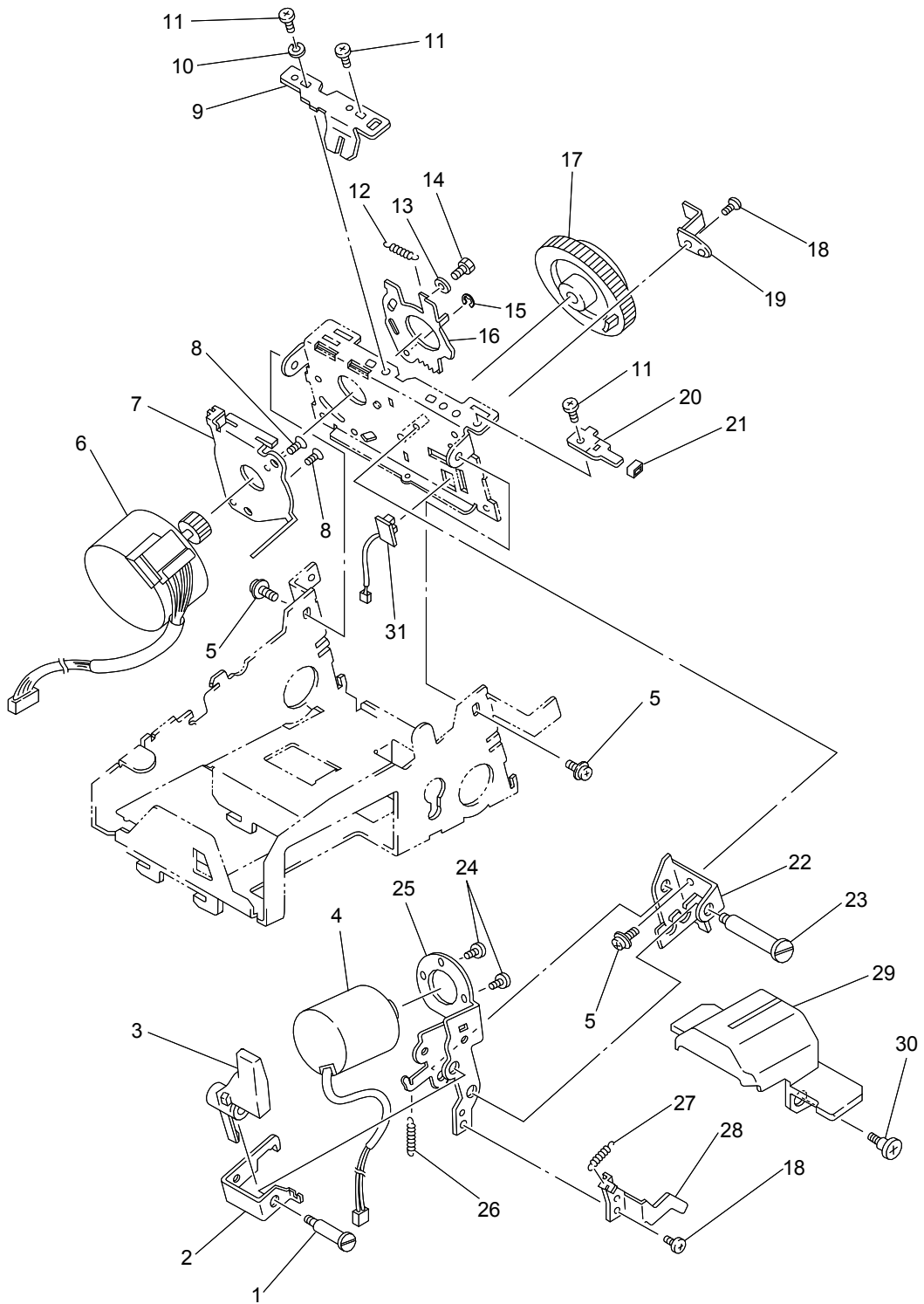
**MODEL**

**AE-740**

<b>REF. NO.</b>	<b>PART CODE</b>	<b>Q'TY</b>	<b>DESCRIPTION</b>
1	500-61050	1	MAIN SHAFT
2	011-03510	1	NUT M3.0
3	200-58060	1	SCREW M3.0 X 22
4	200-62110	1	BELT HOLDER SCREW
5	200-62100	1	BELT HOLDER
6	330-60170	1	SCREW M4.0 X 8
7	200-58050	1	SCREW M4.0 X 6
8	200-62075	1	IDLE PULLEY BRACKET
9	200-62150	1	IDLE PULLEY SPACER
10	200-62140	2	IDLE PULLEY FLANGE
11	200-62060	1	IDLE PULLEY
12	011-02040	1	RETAINING RING D=3.0
13	500-62090	1	DRIVE BELT
14	200-81060	2	SCREW M3.0 X 6
15	190-62015	1	CARRIER MOTOR
16	820-90220	2	SCREW M3.5 X 6
17	501-70200	1	SCREW M3.0 X 5
18	200-62045	1	DRIVE SHAFT BRACKET
19	200-62001	1	CARRIER DRIVE BASE
20	200-62030	1	CARRIER DRIVE PULLEY
21	610-61130	1	CHASSIS FRAME ASSEMBLY
22	260-61200	2	FRAME SET RUBBER
23	260-61190	2	FRAME SIDE RUBBER
24	410-61180	2	FRAME SIDE BOSS
25	270-43015	1	PAPER INJECTOR SWITCH ASSEMBLY
26	260-61300	1	SPRING RETAINING RING D=7.0
27	220-89120	1	RETAINING RING D=7.0
28	820-90230	1	SCREW M2.6 X 5



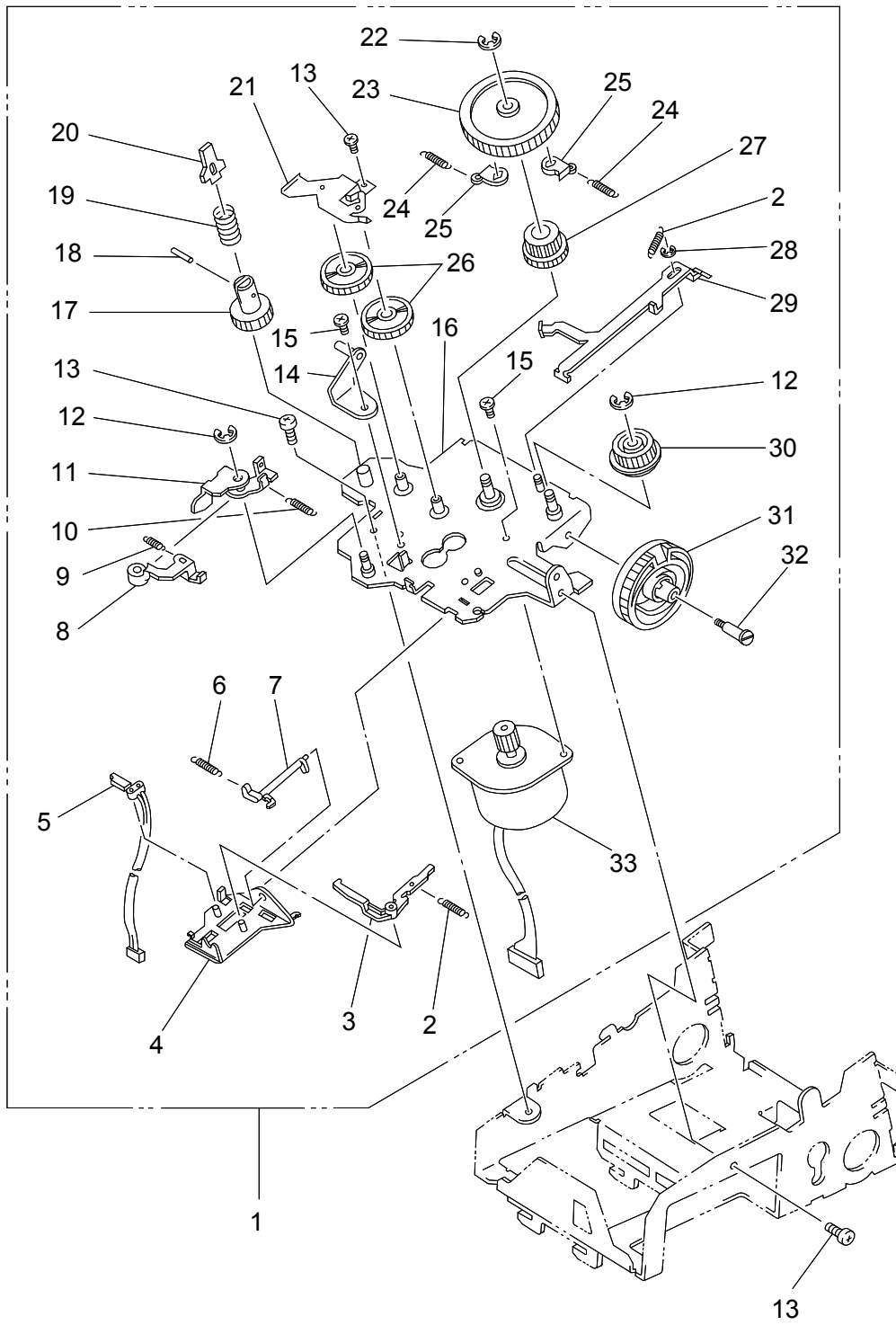
	FUNCTIONAL GROUP NAME	CARRIER ASSEMBLY AND CARRIER FRAME	MODEL	AE-740
REF. NO.	PART CODE	Q'TY	DESCRIPTION	
1	070-50061	1	CARRIER CABLE GUIDE	
2	200-51051	1	CARRIER GUIDE BRACKET	
3	410-51020	1	CARRIER GUIDE PIN	
4	200-51040	1	CARRIER GUIDE	
5	011-05520	1	SPRING WASHER 3.5	
6	011-03520	1	NUT M3.5	
7	610-51010	1	CARRIER FRAME	
8	410-51040	1	CABLE HOLDER	
9	610-52200	1	PRINT HEAD BASE	
10	410-52170	1	WHEEL GUARD SCREW	
11	410-52110	1	WHEEL SUB GUARD	
12	200-56040	1	WHEEL RESET PLATE	
13	200-56050	1	RESET PLATE SCREW	
14	011-16050	1	BACK SPRING	
15	580-51280	2	SCREW M3.0 X 6	
16	410-00260	1	LOCATOR ASSEMBLY	
17	551-02570	1	PUSH NUT M2.0	
18	410-52130	1	WHEEL HOLD DISK	
19	H00-52055	1	WHEEL RESET SPRING	
20	410-52100	1	WHEEL MAIN GUARD	
21	410-52140	1	WHEEL GUARD SPRING	
22	330-52221	2	OIL HOLDER	
23	551-10040	2	SCREW M3.0 X 5	
24	070-51020	2	CARRIER METAL BRACKET	
25	610-50010	1	CARRIER ASSEMBLY	





**FUNCTIONAL  
GROUP NAME****PRINT HEAD AND HAMMER DRIV MODEL****AE-740**

<b>REF. NO.</b>	<b>PART CODE</b>	<b>Q'TY</b>	<b>DESCRIPTION</b>
1	410-53070	1	LOCK LEVER SCREW
2	410-53030	1	HAMMER LOCK LEVER
3	410-53050	1	HAMMER RELEASE LEVER
4	610-00140	1	HAMMER ASSEMBLY
5	820-90310	3	SCREW M3.0 X 4
6	410-52190	1	SELECTION MOTOR ASSEMBLY
7	410-00130	1	SELECTION MOTOR BRACKET
8	680-00160	2	SCREW M3.0 X 4
9	410-52070	1	HAMMER ADJUST PLATE
10	011-05510	1	SPRING WASHER 3
11	011-00160	3	SCREW M3.0 X 4
12	410-52220	1	SELECTION BRACKET SPRING
13	301-27420	1	WASHER 3 X 8 X 0.5
14	410-52180	1	SCREW M3.0 X 4
15	011-02030	1	RETAINING RING D=2.5
16	410-52040	1	SELECTION ADJUST PLATE
17	410-52020	1	WHEEL HOLDER
18	011-00010	1	SCREW M3.0 X 4
19	410-52060	1	WHEEL HOLDER STOPPER
20	410-52120	1	STOPPER GUARD
21	551-00230	1	PAD
22	410-53010	1	HAMMER BASE
23	410-53060	1	HAMMER BASE SCREW
24	200-81020	2	SCREW M2.6 X 6
25	410-53020	1	HAMMER BRACKET
26	410-53080	1	HAMMER BRACKET SPRING
27	410-53090	1	LOCK LEVER SPRING
28	410-53040	1	WHEEL RELEASE ARM
29	005-17001	1	HAMMER COVER
30	011-23551	1	SCREW M3.0 X 4
31	610-56015	1	SENSOR PCB ASSEMBLY

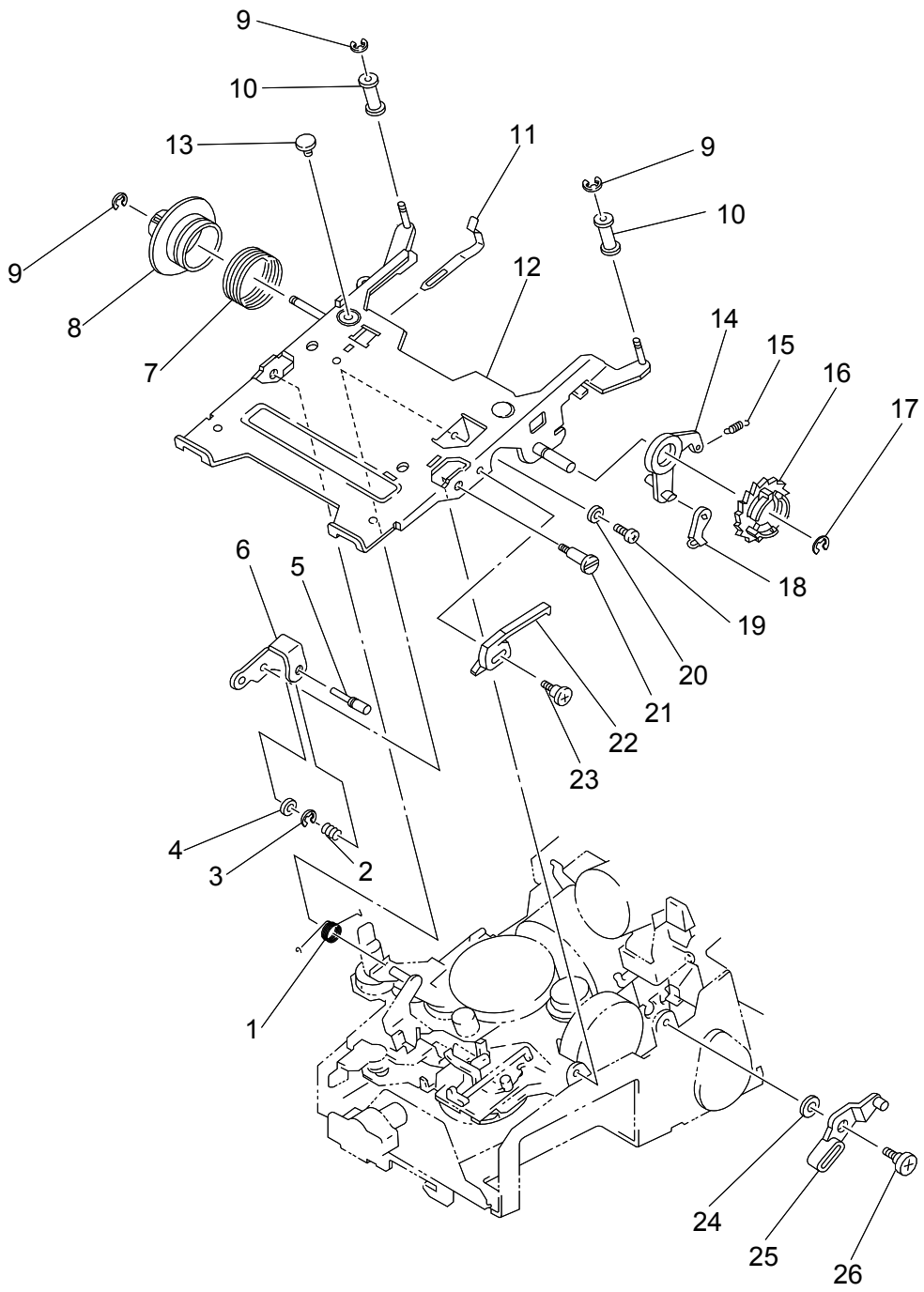


**FUNCTIONAL  
GROUP NAME**

**RIBBON DRIVE BASE ASSEMBLY MODEL**

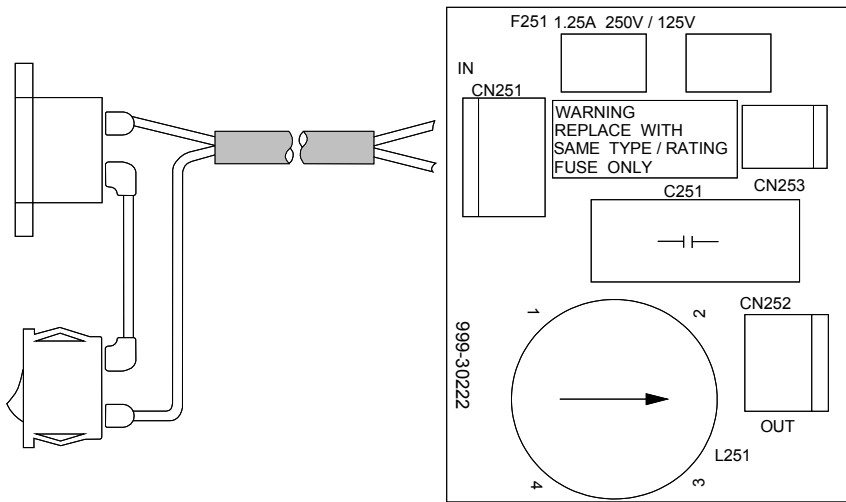
**AE-740**

<b>REF. NO.</b>	<b>PART CODE</b>	<b>Q'TY</b>	<b>DESCRIPTION</b>
1	410-00050	1 SET	RIBBON DRIVE BASE ASSEMBLY
2	200-55070	2	CORRECT FEED ARM SPRING
3	270-54360	1	COLLECT SENSOR LEVER
4	270-54350	1	SENSOR BRACKET
5	410-57120	1	LEAF SWITCH ASSEMBLY
6	270-54390	1	RELEASE ARM SPRING
7	270-54370	1	RELEASE ARM
8	270-54380	1	CARRIER RESET LEVER
9	270-54400	1	RESET LEVER SPRING
10	011-16050	1	BACK SPRING
11	410-54150	1	CARRIER RESET CRANK
12	011-02030	2	RETAINING RING D=2.5
13	011-00010	3	SCREW M3.0 X 4
14	410-00160	1	RIBBON BASE BRACKET
15	501-70200	2	SCREW M3.0 X 5
16	410-00150	1	RIBBON DRIVE BASE
17	200-54080	1	RIBBON FEED STEM
18	200-54110	1	SPRING PIN
19	200-54100	1	FEED STEM SPRING
20	200-54091	1	FEED STEM PLATE
21	200-54270	1	RIBBON GEAR COVER
22	011-02040	1	RETAINING RING D=3.0
23	410-54090	1	RIBBON MAIN GEAR
24	200-54050	2	FEED PAWL SPRING
25	200-54040	2	RIBBON FEED PAWL
26	200-54070	1	FEED IDLE GEAR
27	200-54060	1	RIBBON FEED RATCHET
28	011-02010	1	RETAINING RING D=1.5
29	410-54030	1	WHEEL SENSE LEVER
30	410-54100	1	LIFT IDLE GEAR
31	270-54130	1	RIBBON LIFT CAM
32	410-54070	1	LIFT CAM SCREW
33	410-54080	1	RIBBON MOTOR



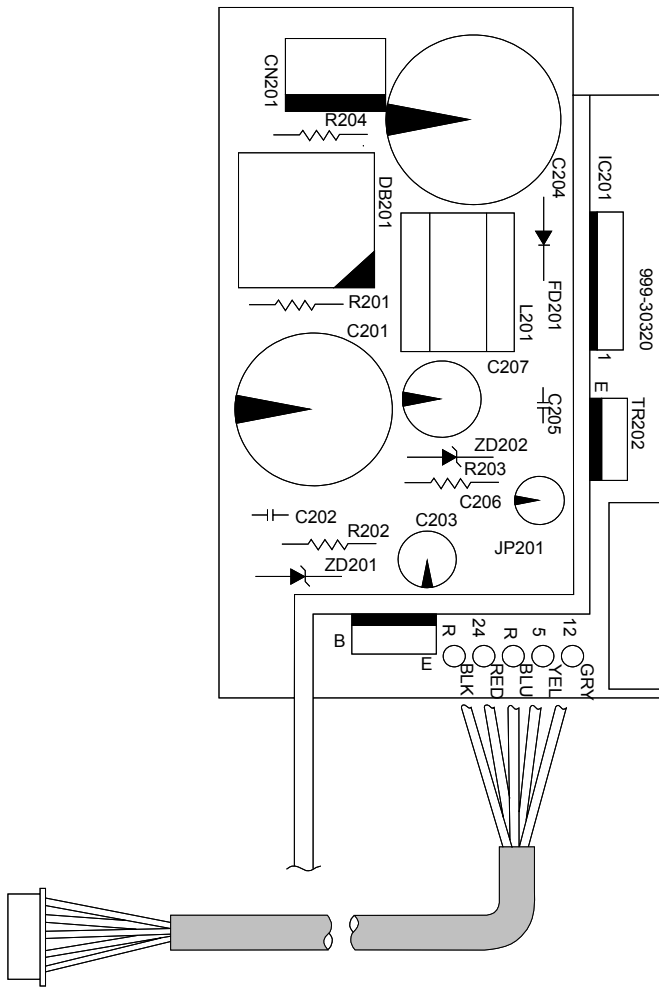
**FUNCTIONAL  
GROUP NAME****RIBBON CASSETTE BASE****MODEL****AE-740**

<b>REF. NO.</b>	<b>PART CODE</b>	<b>Q'TY</b>	<b>DESCRIPTION</b>
1	200-55170	1	CASSETTE BASE SPRING
2	011-19670	1	SPRING COIL
3	011-02040	1	RETAINING RING D=3.0
4	270-55210	1	CAM FOLLOWER SPACER
5	410-55040	1	CAM FOLLOWER PIN
6	200-55010	1	CAM FOLLOWER BRACKET
7	410-55050	1	BRAKE SPRING
8	330-52041	1	RIBBON CORRECT HOLDER
9	011-02020	3	RETAINING RING D=2.0
10	200-55030	2	CORRECT ROLLER
11	410-55030-01	1	CASSETTE HOLD SPRING
12	610-55120	1	RIBBON CASSETTE BASE
13	270-55220	2	CASSETTE BASE RUBBER
14	270-55050	1	CORRECT FEED ARM
15	200-55070	1	CORRECT FEED SPRING
16	330-52030	1	CORRECT FEED RATCHET
17	011-02030	1	RETAINING RING D=2.5
18	200-55060	1	CORRECT FEED PAWL
19	011-00160	1	SCREW M3.0 X 4
20	011-05510	1	SPRING WASHER 3
22	410-55020	1	CASSETTE BASE SCREW
22	200-55080	1	CORRECT STOP PAWL
23	200-55130	1	STOP PAWL SCREW
24	410-76010	1	WASHER 3.0 X 7 X 1.6
25	270-55190	1	CORRECT FEED CRANK
26	270-55200	1	CORRECT CRANK SCREW



**FUNCTIONAL  
GROUP NAME****NOISE FILTER PCB ASSEMBLY****MODEL****AE-740**

<b>REF. NO.</b>	<b>PART CODE</b>	<b>Q'TY</b>	<b>DESCRIPTION</b>
ASS'Y	A00-23000	1 SET	NOISE FILTER PCB ASSEMBLY (120V)
PCB	999-30222	1	NOISE FILTER PCB
L251	999-05548	1	CHOCKING COIL SC-02-10F
C251	999-02778-00-00	1	CAPACITOR 0.1UF 250V
F251	998-05480	1	FUSE 1.25A 120V
FOR F251	220-32280	2	FUSE CLIP
CN251	500-22040	1	SWITCH ASSEMBLY (120V)
CN252	999-04539	1	CONNECTOR 2 PINS



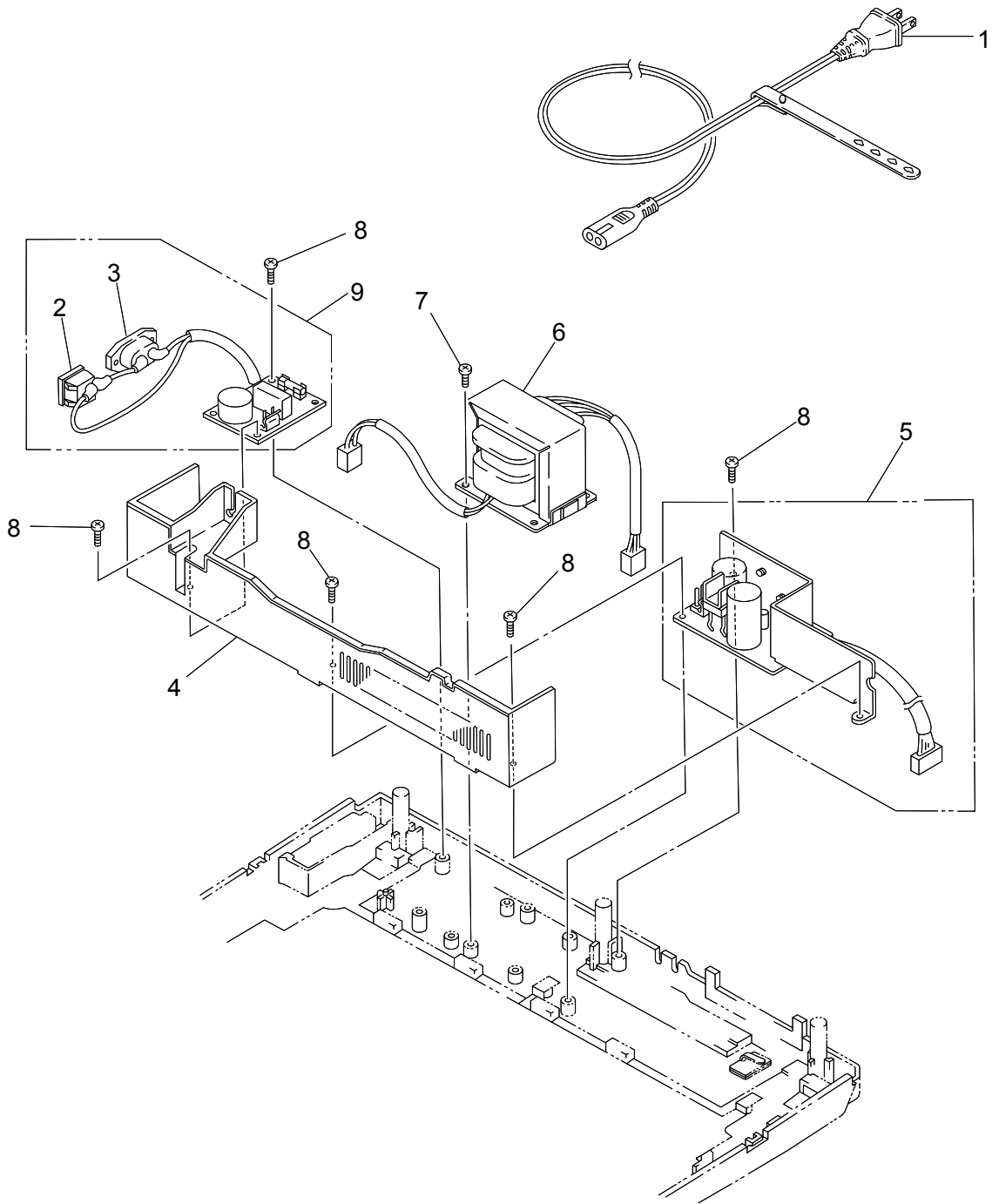


**FUNCTIONAL  
GROUP NAME**

**POWER SUPPLY PCB ASSEMBLY MODEL**

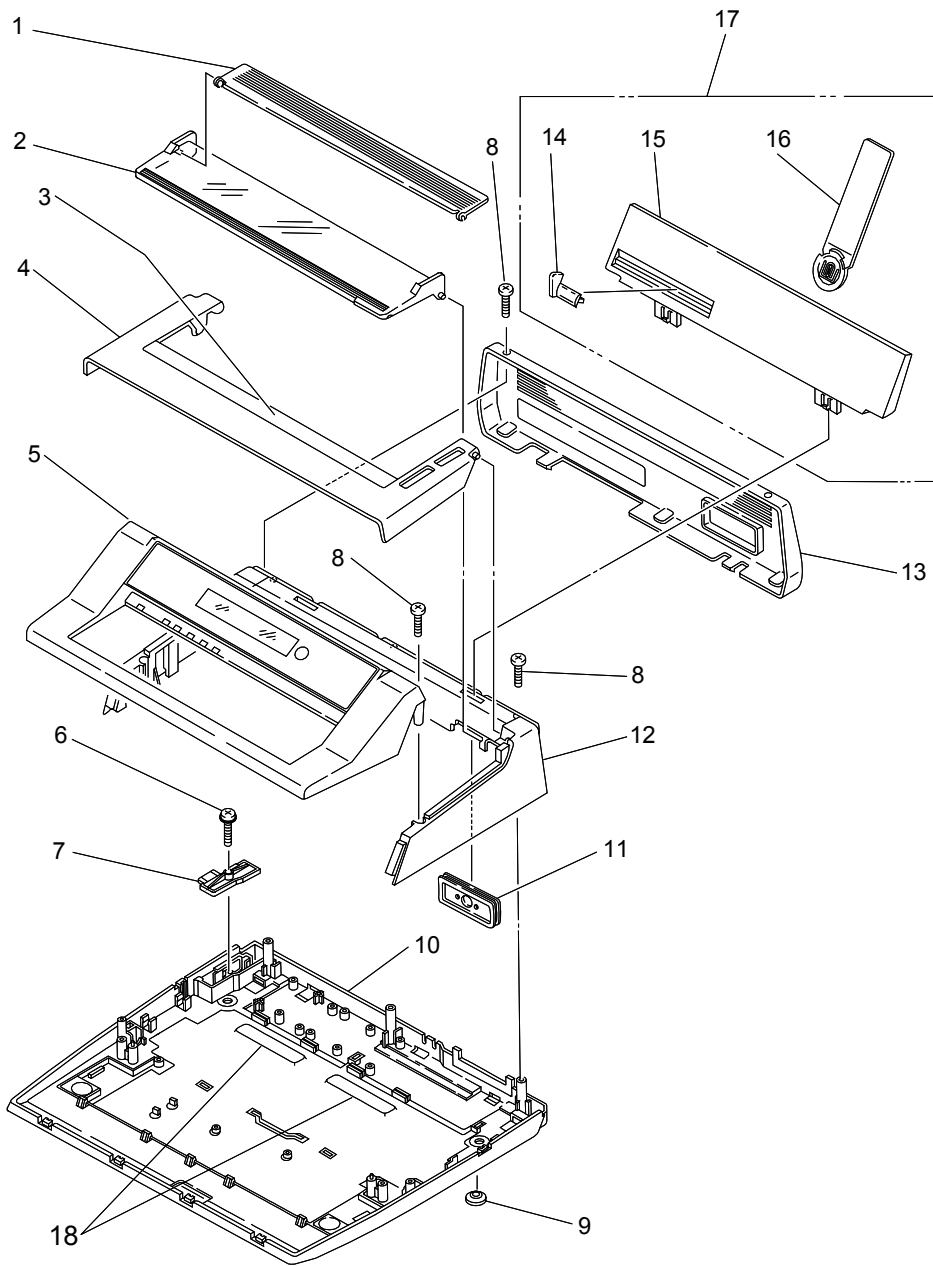
**AE-740**

<b>REF. NO.</b>	<b>PART CODE</b>	<b>Q'TY</b>	<b>DESCRIPTION</b>
ASS'Y	500-20001	1 SET	POWER SUPPLY PCB ASSEMBLY
PCB	999-30320	1	POWER SUPPLY PCB
IC201	999-04013	1	REGULATOR STR20005 (SANKEN)
FOR IC201	220-89060	1	SCREW
TR201,202	999-03235	2	TRANSISTOR 2SD1785 (SANKEN)
DB201	330-21160	1	DIODE BRIDGE S4VB20 (SHINDENGEN)
FOR DB201	220-32410	1	COOLING PLATE FOR DIODE BRIDGE
FD201	999-02956	1	FAST RECOVERY DIODE (1.2A 200V)
ZD201	220-32100	1	ZENER DIODE HZ27-1 (HITACHI)
ZD202	220-32110-00-21	1	ZENER DIODE EQA02-12B5 (FUJI)
L201	999-05545	1	CHOKING COIL CC400 (TDK)
R201	999-00153-00-TA	1	RESISTOR 15KOHM 1/4W
R202	650-31160-00-TA	1	RESISTOR 3.3KOHM 1/4W
R203	330-22300-00-TA	1	RESISTOR 2.2KOHM 1/4W
R204	999-00562-00-TA	1	RESISTOR 5.6KOHM 1/4W
C201	999-02731	1	CAPACITOR 3300UF 50V
	999-53070	1	CAPACITOR 3300UF 50V
C202	999-12724	1	CAPACITOR 0.047UF 50V
C203	998-30270	1	CAPACITOR 47UF 50V
	999-02776	1	CAPACITOR 47UF 35V
C204	998-30260	1	CAPACITOR 4700UF 35V
	999-02733	1	CAPACITOR 4700UF 25V
C205	999-12728	1	CAPACITOR 0.01UF 50V
C206	999-02777	1	CAPACITOR 22UF 16V
	999-02777	1	CAPACITOR 22UF 16V
C207	999-02713-00-10	1	CAPACITOR 1000UF 10V
	998-53050	1	CAPACITOR 1000UF 10V
CN201	999-04535	1	CONNECTOR 3 PINS
	011-00100	1	SCREW M3.0 X 6
	034-70020	3	SCREW M3.0 X 10 (TO FIX DB201, TR201 AND TR202)
	200-20150	1	COOLING PLATE
	500-20015	1	LEAD WIRE ASSEMBLY



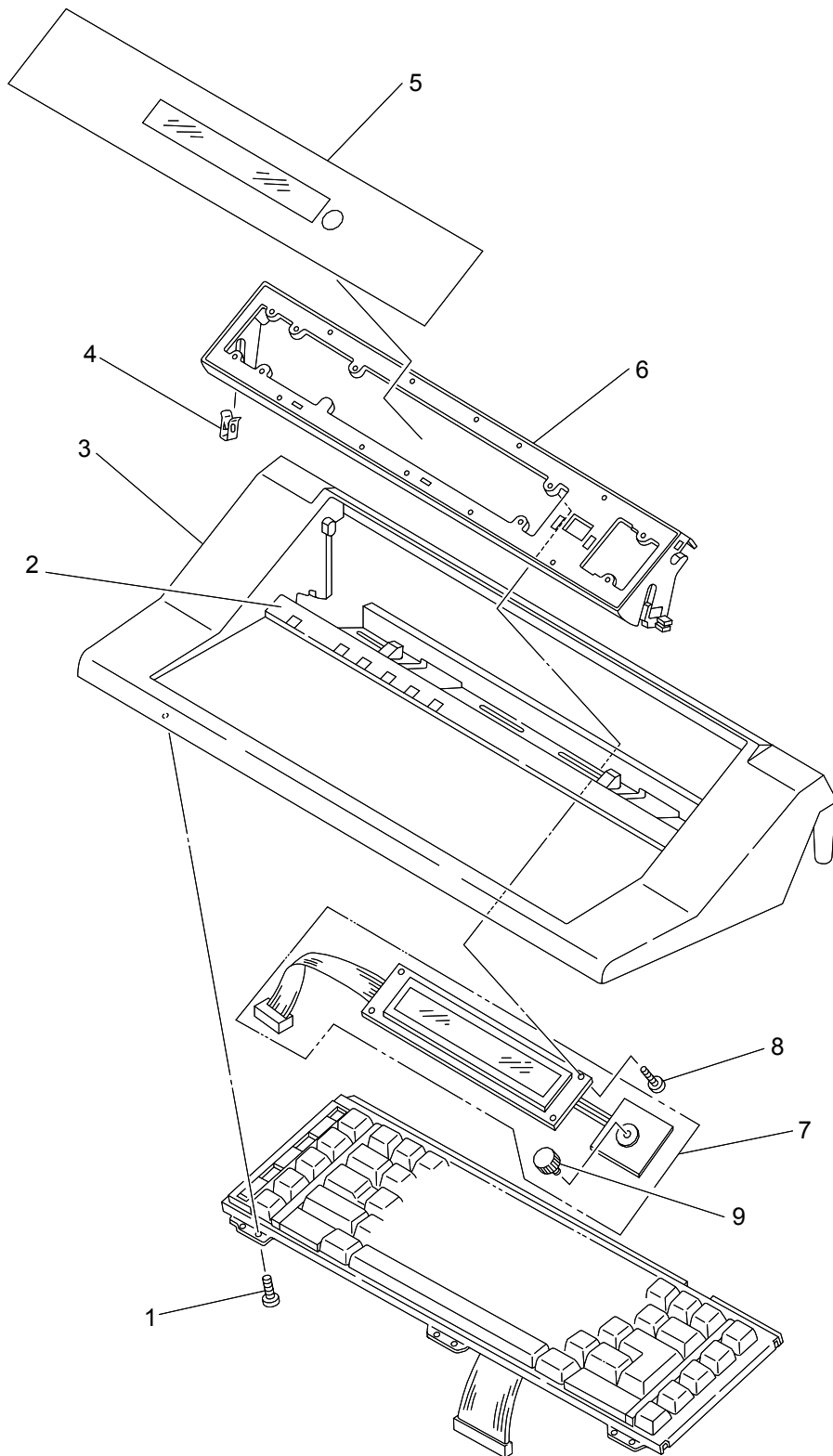
**FUNCTIONAL  
GROUP NAME****POWER SUPPLY****MODEL****AE-740**

<b>REF. NO.</b>	<b>PART CODE</b>	<b>Q'TY</b>	<b>DESCRIPTION</b>
1	330-20300-00-20	1	POWER SUPPLY CORD (UL/CSA)
2	500-22040	1	SWITCH ASSEMBLY 120V
3	998-05390	1	POWER INLET
4	A00-71100-00-00	1	TRANSFORMER COVER
5	500-20001	1	POWER SUPPLY PCB ASSEMBLY
6	H00-23010-00-00	1	TRANSFORMER ASSEMBLY (120V)
7	502-71020	4	SCREW M4.0 X 8
8	200-71040	5	SCREW M3.0 X 10
9	A00-23000	1	NOISE FILTER PCB ASSY (120V)



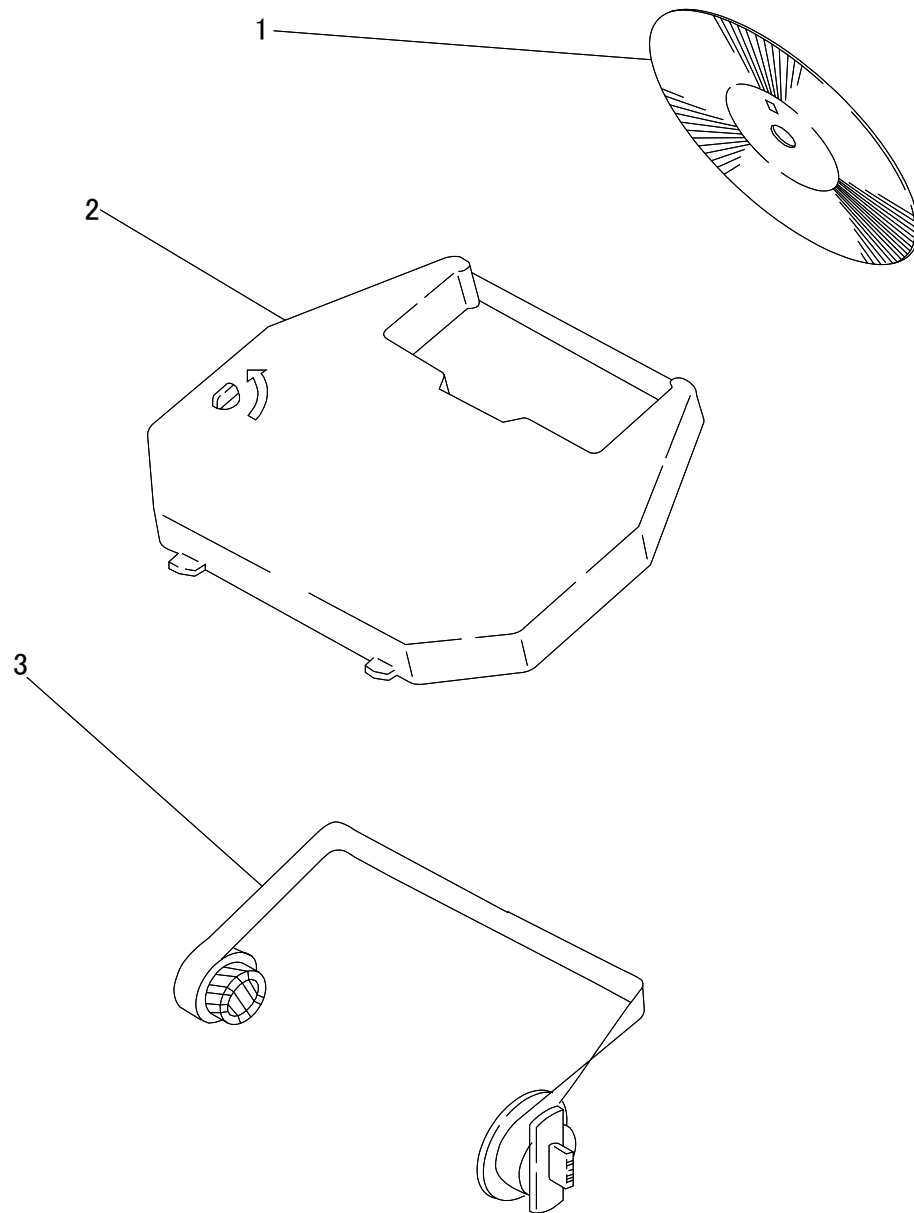
	FUNCTIONAL GROUP NAME	HOUSING	MODEL	AE-740
REF. NO.	PART CODE	Q'TY	DESCRIPTION	
1	390-70391-22-00	1	GLARE SHIELD	
2	A00-70166-00-00	1	NOISE COVER	
3	190-79070	1	MARGIN SHEET	
4	005-53010	1	TOP COVER ASSEMBLY	
5	*	1	FRONT COVER ASSEMBLY	
6	330-00060	1	SCREW M3.0 X 16	
7	500-71090-19	1	SWITCH COVER	
8	200-71060	7	SCREW M3.0 X 16	
9	100-71040	2	RUBBER LEG	
10	005-74028	1	BOTTOM PAN ASSEMBLY WITHOUT SHIELD PLATE SPONGE (L)	
11	355-70270-19	1	CONNECTOR HOLDER	
12	500-70150-44	1	MAIN COVER	
13	005-72294	1	BACK COVER ASSEMBLY (120V)	
14	400-70411-22	1	PAPER GUIDE	
15	005-11920	1	PAPER STAND	
16	005-11921	1	PAPER SUPPORT	
17	190-70360-22-00	1	PAPER STAND ASSEMBLY	
18	100-71080	2	SHIELD PLATE SPONGE (LARGE)	

\* REFER TO PAGE 44.



**FUNCTIONAL  
GROUP NAME****FRONT COVER ASSEMBLY****MODEL****AE-740**

<b>REF. NO.</b>	<b>PART CODE</b>	<b>Q'TY</b>	<b>DESCRIPTION</b>
1	200-71040	2	SCREW M3.0 X 10
2	190-79710	1	FUNCTION SHEET (USA)
	610-79770	1	FUNCTION SHEET (NEW CANADIAN-FRENCH)
3	504-70011-19	1	FRONT COVER
4	190-70710	1	LCD DETENT CLIP
5	610-79560	1	LCD MASK (USA)
	610-79780	1	LCD MASK (NEW CANADIAN-FRENCH)
6	505-44401-19-00	1	LCD FRAME
7	190-44040	1	LCD ASSEMBLY
8	680-00170	3	SCREW M3.0 X 6
9	400-70127-19	1	VOLUME BUTTON





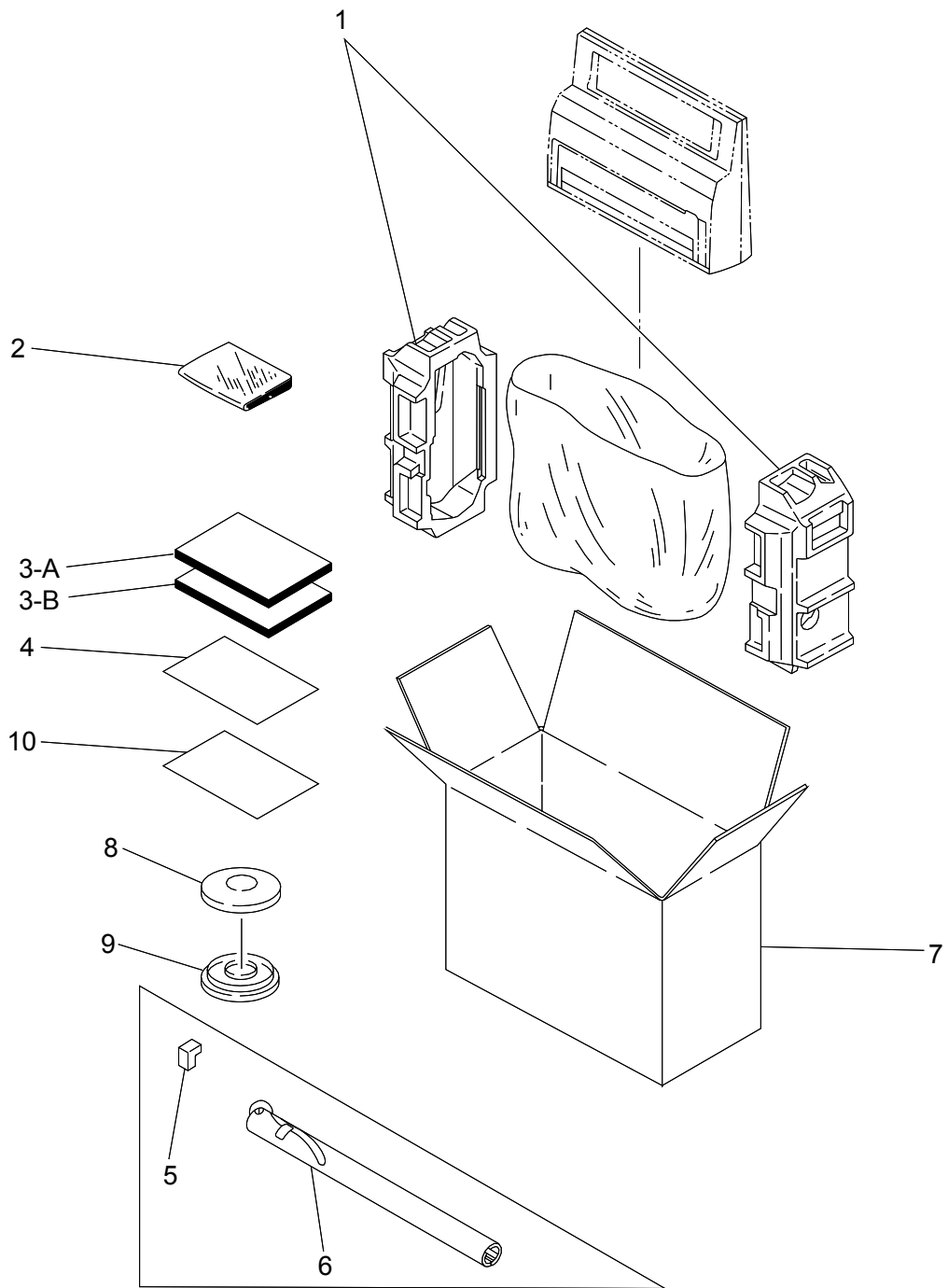
**FUNCTIONAL  
GROUP NAME**

**ACCESSORIES**

**MODEL AE-740**

<b>REF. NO.</b>	<b>PART CODE</b>	<b>Q'TY</b>	<b>DESCRIPTION</b>
1	*	1	PRINTWHEEL
2	100-75206	1	CORRECTABLE RIBBON CASSETTE
3	330-75105-00-FL	1	LIFT-OFF CORRECTION TAPE

\* SPECIFY TYPE STYLE WHEN ORDERING.



	FUNCTIONAL GROUP NAME	PACKING	MODEL	AE-740
REF. NO.	PART CODE	Q'TY	DESCRIPTION	
1	001-93620	1 SET	PACKING SET	
2	330-80210	1	DUST COVER	
3-A	001-02401	1	INSTRUCTION MANUAL (ENGLISH) FOR 1ST/2ND MODELS	
	001-02295	1	INSTRUCTION MANUAL (FRENCH) FOR 1ST/2ND MODELS	
	001-02300	1	INSTRUCTION MANUAL (SPANISH) FOR 1ST/2ND MODELS	
	001-02586	1	INSTRUCTION MANUAL (ENGLISH) FOR 3RD MODELS (NOT FINALIZED)	
3-B			ONLY CONTROL PCB ASSEMBLY (610-34050/34060/35050/35060)	
	001-02537	1	ADDENDUM 1M SRAM (ENGLISH)	
	001-02538	1	ADDENDUM 1M SRAM (FRENCH)	
	001-02540	1	ADDENDUM 1M SRAM (SPANISH)	
4	001-02286	1	UNPACKING INSTRUCTION	
5	610-80020	1	CASSETTE RIBBON PACKING	
6	500-80015	1	CARRIER PROTECTOR	
7	001-61818	1	CARTON BOX	
8	330-78230	1	WHEEL CASE UPPER	
9	330-78300	1	WHEEL CASE BOTTOM	
10	001-02573	1	WARRANTY SHEET	

Printed in Japan  
001-03122-03  
041130  
AE-640NU