

PARTS LIST
AE-710
Electronic Typewriter

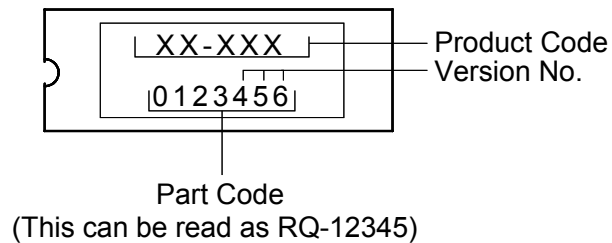
EDITION 3
NOV. 2004
001-03121-03

PREFACE

1. This parts list is used to order parts required for the electronic typewriter.
2. The part code for the ROM including version number is printed on the protection label as illustrated below.

Be sure to use same part code for compatibility when ordering parts.

Example:



3. The Classified mark is printed on the control PCB as illustrated below.
- Be sure to use the same classified mark for compatibility when ordering parts.

Example:

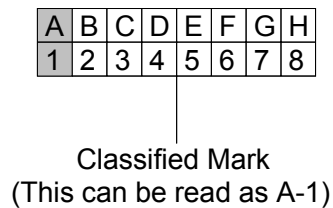
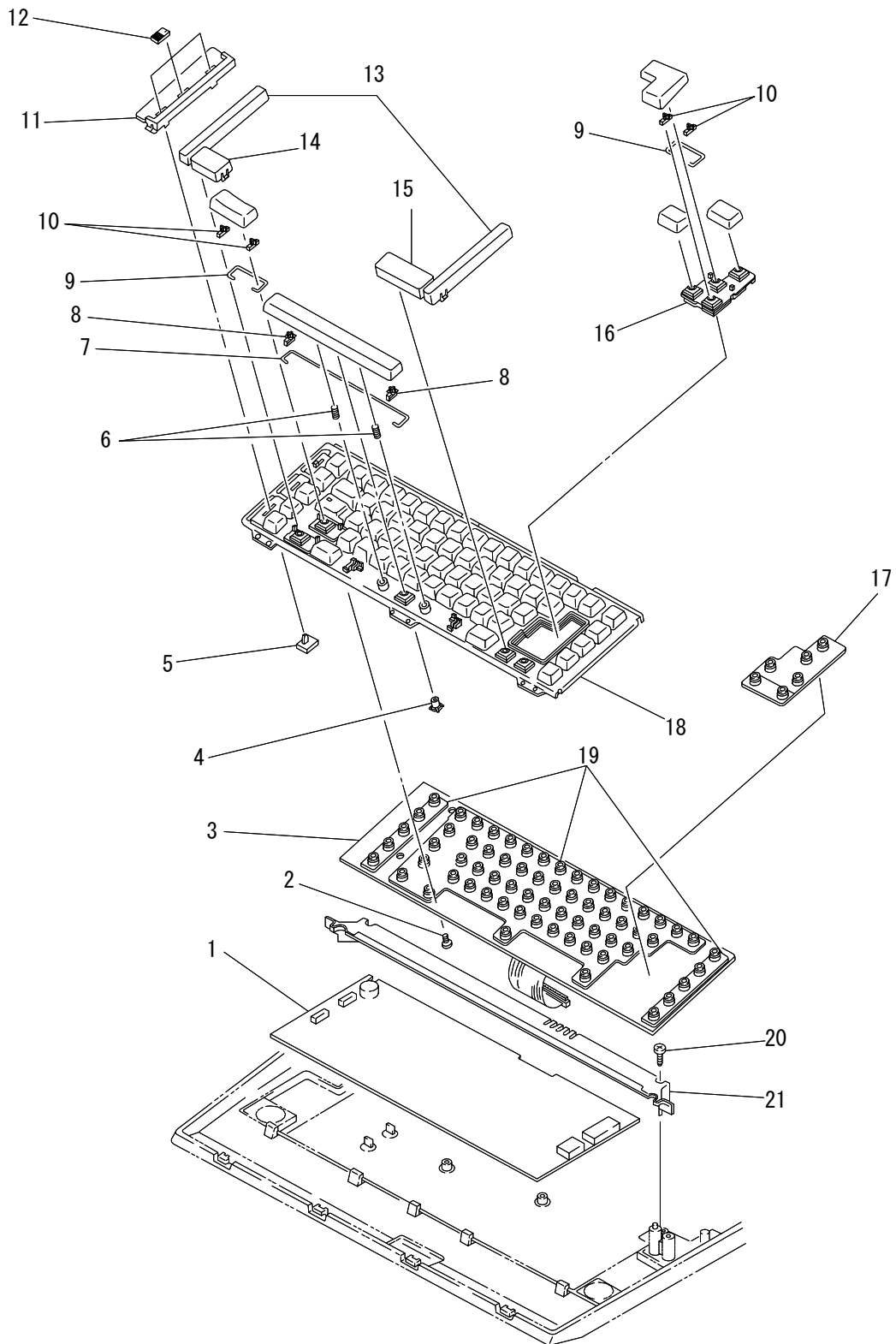


TABLE OF CONTENTS

KEYBOARD ASSEMBLY	1
KEYBOARD PCB ASSEMBLY	3
CONTROL PCB ASSEMBLY FOR SECOND MODELS	5
CONTROL PCB ASSEMBLY FOR THIRD MODELS	9
CONTROL PCB ASSEMBLY FOR FOURTH MODELS	13
CHASSIS FRAME	17
CHASSIS AND CARRIER DRIVE	19
CARRIER ASSEMBLY AND CARRIER FRAME	21
PRINT HEAD AND HAMMER DRIVE	23
RIBBON DRIVE BASE ASSEMBLY	25
RIBBON CASSETTE BASE	27
NOISE FILTER PCB ASSEMBLY	29
POWER SUPPLY PCB ASSEMBLY	31
POWER SUPPLY	33
HOUSING	35
ACCESSORIES	37
PACKING	39



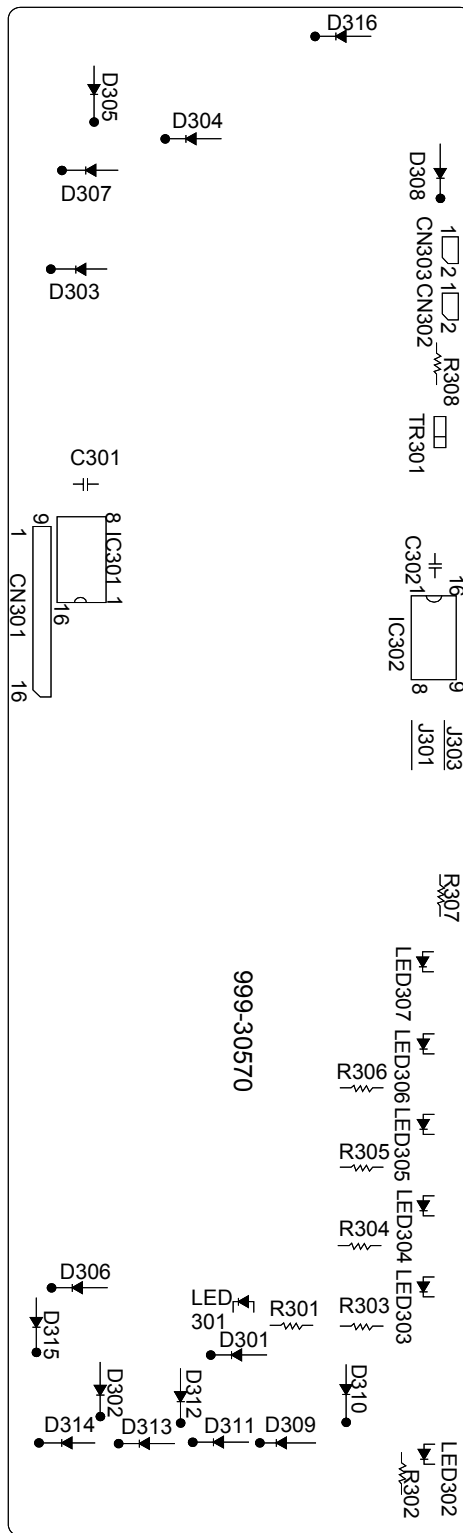
**FUNCTIONAL
GROUP NAME**

KEYBOARD ASSEMBLY

MODEL

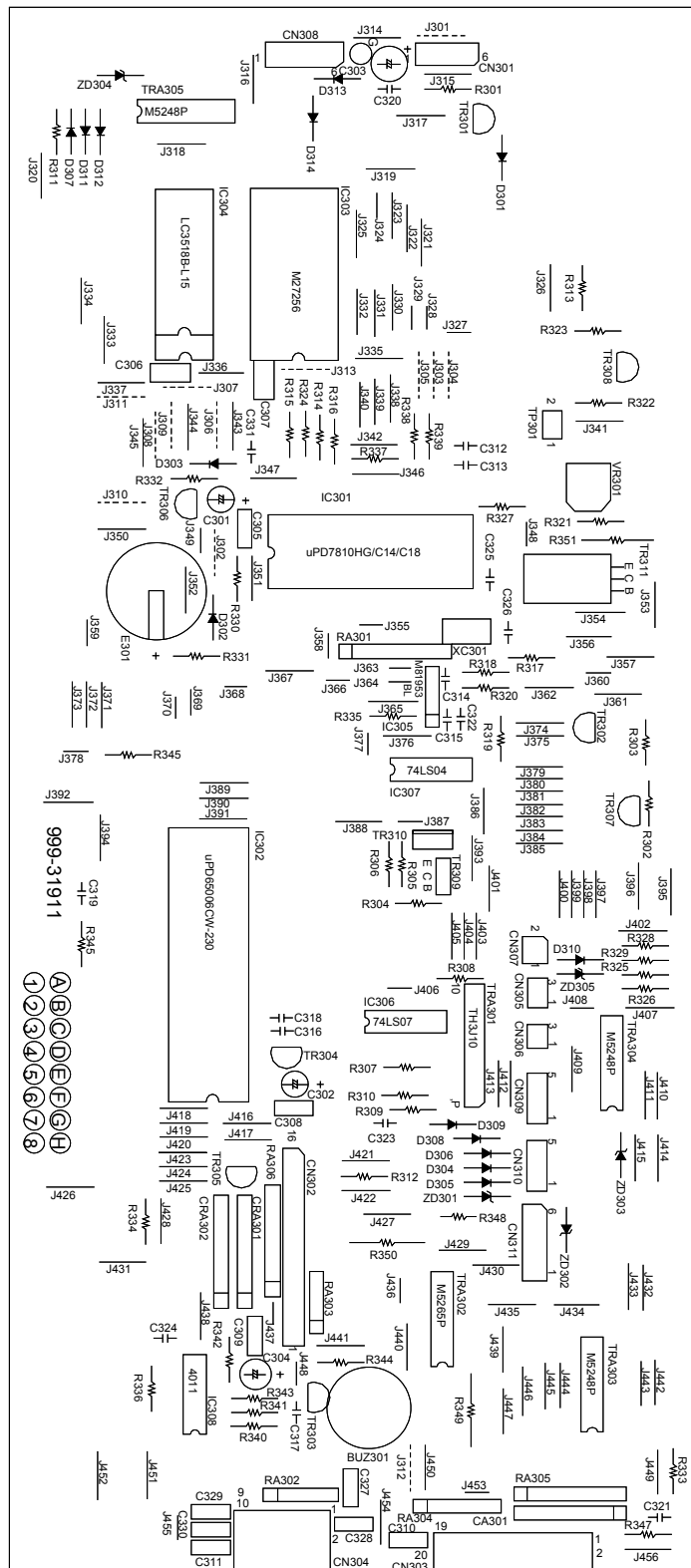
AE-710

REF. NO.	PART CODE	Q'TY	DESCRIPTION
1	610-31001-00-10	1 SET	CONTROL PCB ASSEMBLY B-2
	615-31010	1 SET	CONTROL PCB ASSEMBLY A-1
	615-31020	1 SET	CONTROL PCB ASSEMBLY B-1
	615-32010	1 SET	CONTROL PCB ASSEMBLY A-2
	615-32020	1 SET	CONTROL PCB ASSEMBLY B-2
2	200-43040	17	SCREW M2.0 X 6
3	190-41000-00-60	1 SET	KEYBOARD PCB ASSEMBLY
4	500-40070	68	KEY STEM
5	240-40095	3	SLIDE SWITCH
6	240-40170	2	SPRING
7	240-40150	1	CRANK A
8	240-40130	2	KEY CAP HOOK A
9	240-40160	2	CRANK B
10	240-40140	4	KEY CAP HOOK B
11	190-40010-22-19	1	SLIDE KEY HOUSING
12	190-40020-22-19	3	SLIDE KEYPAD
13	260-40190-22	2	KEYBOARD SPACER
14	240-40180-22	1	KEY MASK L
15	212-40200-22	1	KEY MASK B
16	240-40050-35	1	RETURN KEY PANEL
17	240-40110	1	RUBBER CONTACT SHEET (L)
18	240-40042-35	1	KEYBOARD PANEL
19	500-40101	1	RUBBER CONTACT SHEET
20	330-00140	2	SCREW M3.0 X 8
21	A00-71022-01-00	1	PCB COVER
	KAB-52113	1 SET	KEYTOP ASSEMBLY WITH ON LINE USA (ONLY CONTROL PCB ASSEMBLY FOR B-2)
	KAC-40110-0	1 SET	KEYTOP ASSEMBLY WITHOUT ON LINE USA
	KAC-40119-0	1 SET	HISPANO
	KAC-40174-0	1 SET	NEW CANADIAN-FRENCH (ONLY CONTROL PCB ASSEMBLY FOR A-1, B-1, A-2 AND NEW B-2)

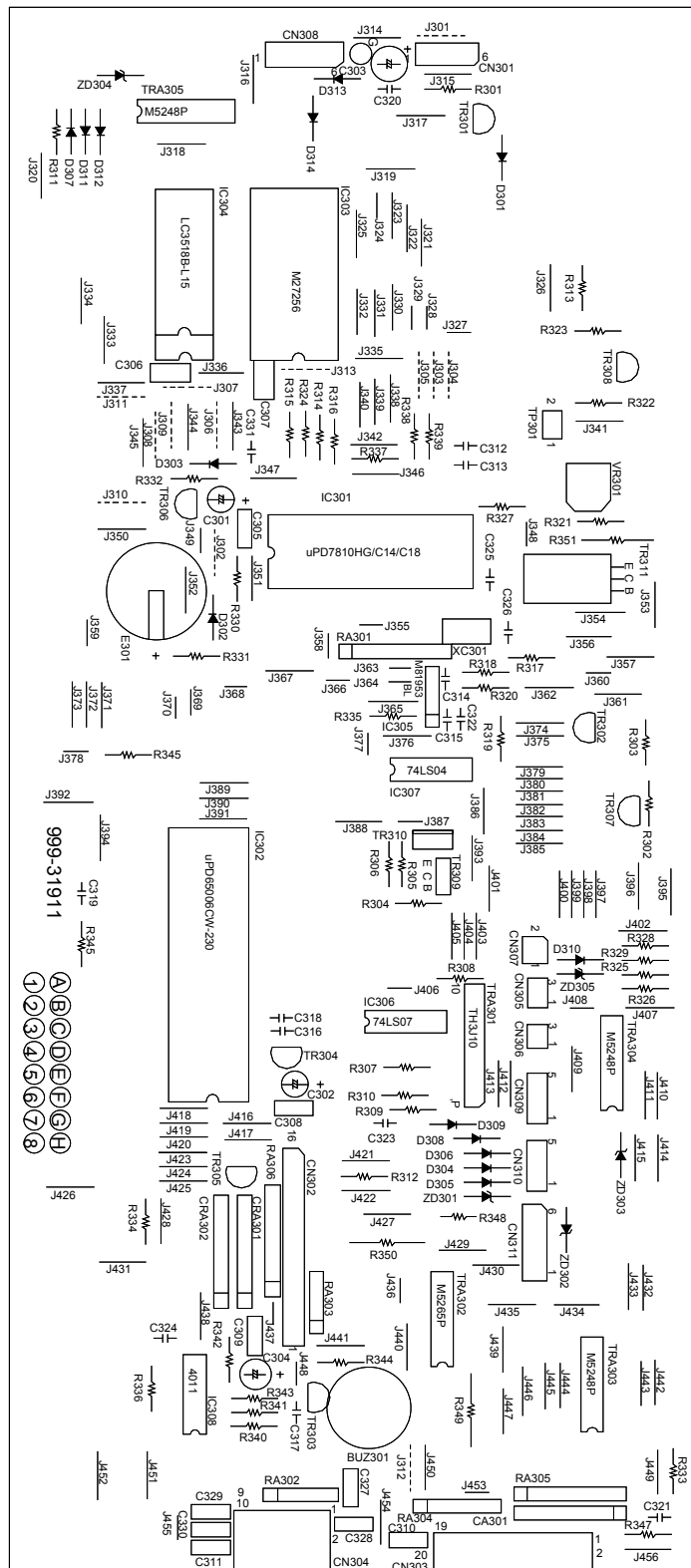


**FUNCTIONAL
GROUP NAME****KEYBOARD PCB ASSEMBLY****MODEL****AE-710**

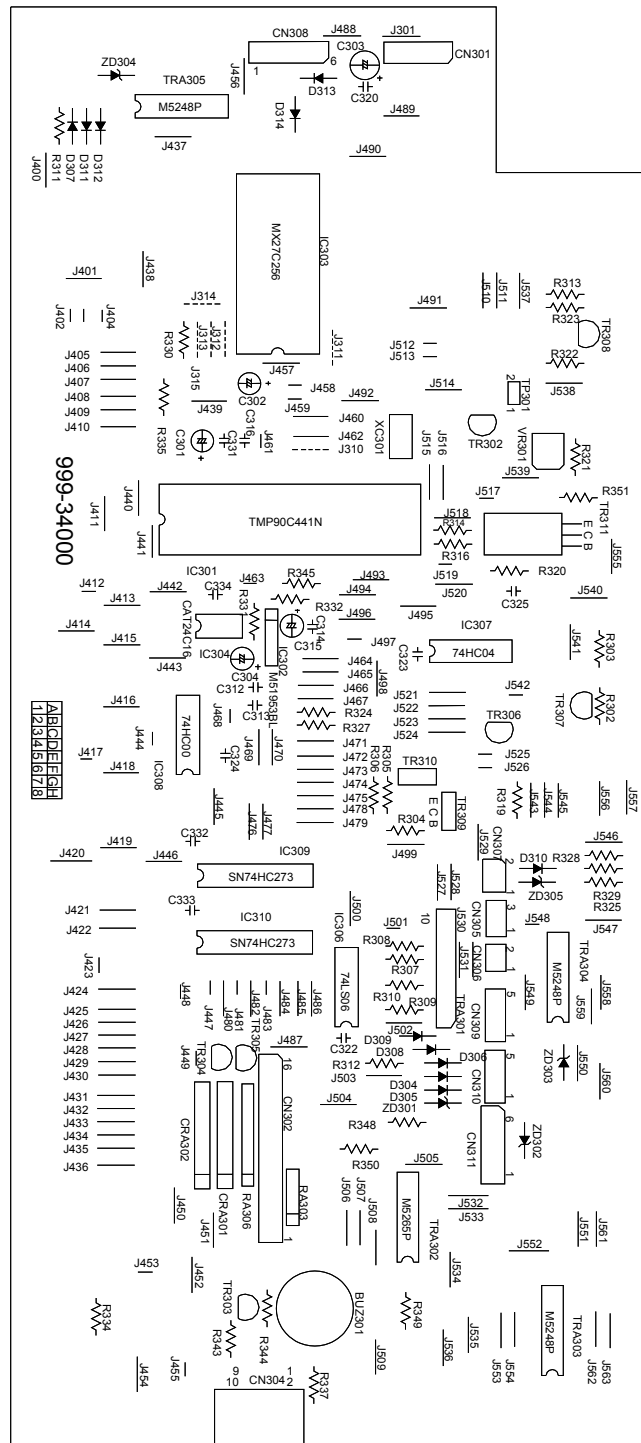
REF. NO.	PART CODE	Q'TY	DESCRIPTION
ASS'Y	190-41000-00-60	1 SET	KEYBOARD PCB ASSEMBLY
PCB	999-30570	1	KEYBOARD PCB
IC301	999-03805-00-70	1	TTL DECODER SN74LS145N
C301	999-12502-00-MU	1	CAPACITOR 0.047UF 25V
R301,302	330-30430-00-TA	2	RESISTOR 150OHM 1/4W
D301,302, 304,305, 308-316	998-05450	13	DIODE 1S2076A TD (HITACHI)
CN301	504-41015	1	FLAT CABLE ASSEMBLY 15 PINS
CN302	220-31300	1	CONNECTOR 2 PINS (RED)
CN303	220-31290	1	CONNECTOR 2 PINS (WHITE)
LED301	999-05640	1	LED SLR-34VC3F
LED302	650-30020	1	LED LN342GP



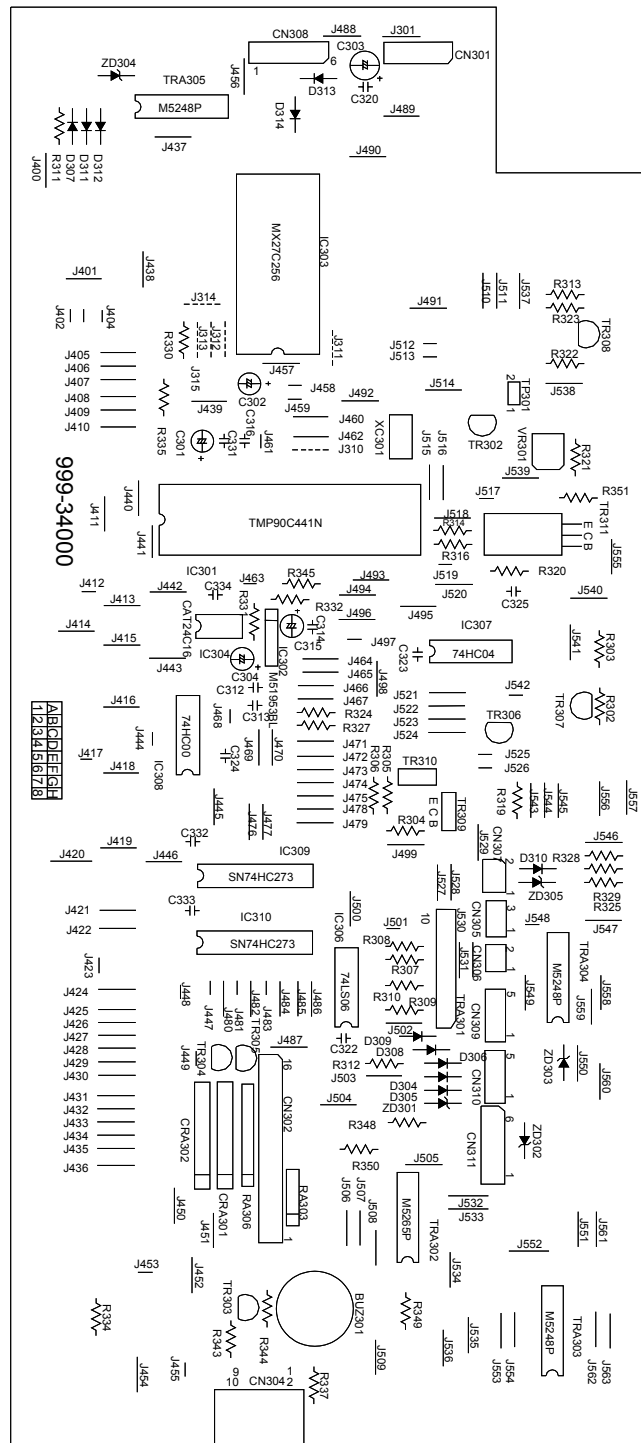
REF. NO.	FUNCTIONAL GROUP NAME PART CODE	CONTROL PCB ASSEMBLY FOR SECOND MODELS Q'TY	MODEL AE-710 DESCRIPTION
ASS'Y	610-31001-00-10	1 SET	CONTROL PCB ASSEMBLY B-2
PCB	999-31911	1	CONTROL PCB
IC301	999-03641	1	CPU UPD7810HG-36 (NEC)
IC302	999-03696	1	GATE ARRAY UPD65006CW-230 (NEC)
IC303	*	1	EP ROM (*:REFER TO EP ROM NO. LIST.)
FOR IC303	220-31240-00-50	1	IC SOCKET 28PINS
IC304	998-04450	1	S RAM LC3664BL-12 (SANYO)
IC305	999-04015	1	RESET IC M51953BL (MITSUBISHI)
IC306	999-03826-00-70	1	TTL SN74LS07N
IC307	650-31070-00-70	1	TTL SN74LS04N
IC308	330-30170-00-10	1	CMOS NAND UPD4011BC
TRA301	999-03408-00-10	1	TRANSISTOR ARRAY UPA1437H (NEC)
TRA302	999-03422	1	TRANSISTOR ARRAY M5265P (MITSUBISHI)
TRA303-305	999-03412-00-20	3	TRANSISTOR ARRAY M5248P (MITSUBISHI)
TR302-304	999-03233	3	TRANSISTOR AA1A4M (NEC)
TR307	998-05320	1	TRANSISTOR 2SA1318S-AA (SANYO)
TR308	998-05330	1	TRANSISTOR 2SC3331F-AA (SANYO)
TR309	999-03258	1	TRANSISTOR 2SB1149 (NEC)
TR310	999-03200	1	TRANSISTOR 2SB938A (MATSUSHITA)
TR311	999-03235-00-37	1	TRANSISTOR 2SD1889 (ROHM)
E301	999-05649-00-12	1	BATTERY CR2032-T14-1 (SONY ENERGYTEC)
BUZ301	999-05541	1	BUZZER PKM17EPP-4001 (MURATA)
XC301	999-05615-00-MU	1	CERAMIC RESONATOR CST7.37MT (MURATA)
CA301	999-02705-00-MU	1	CAPACITOR ARRAY 100PF 50V X 8
CRA301,302	998-05360	2	CR ARRAY ARCL9L101J101K (MURATA)
C301,302	999-02791	2	CAPACITOR 10UF 10V
C303,304	999-02790	2	CAPACITOR 47UF 10V
C305-311	999-02815-00-MU	7	CAPACITOR 0.01UF 50V
C312,313, 316,318, 319,321, 331	650-31280-00-MU	7	CAPACITOR 100PF 50V
C314	999-12540-00-MU	1	CAPACITOR 0.22UF 50V
C315,320, 322-324	999-12502-00-MU	5	CAPACITOR 0.047UF 25V
C317	340-30640-00-MU	1	CAPACITOR 2200PF 50V
C325,326	999-12738-00-10	2	CAPACITOR 0.1UF 50V
C327-330	999-05720-00-MU	4	CAPACITOR 100PF 50V



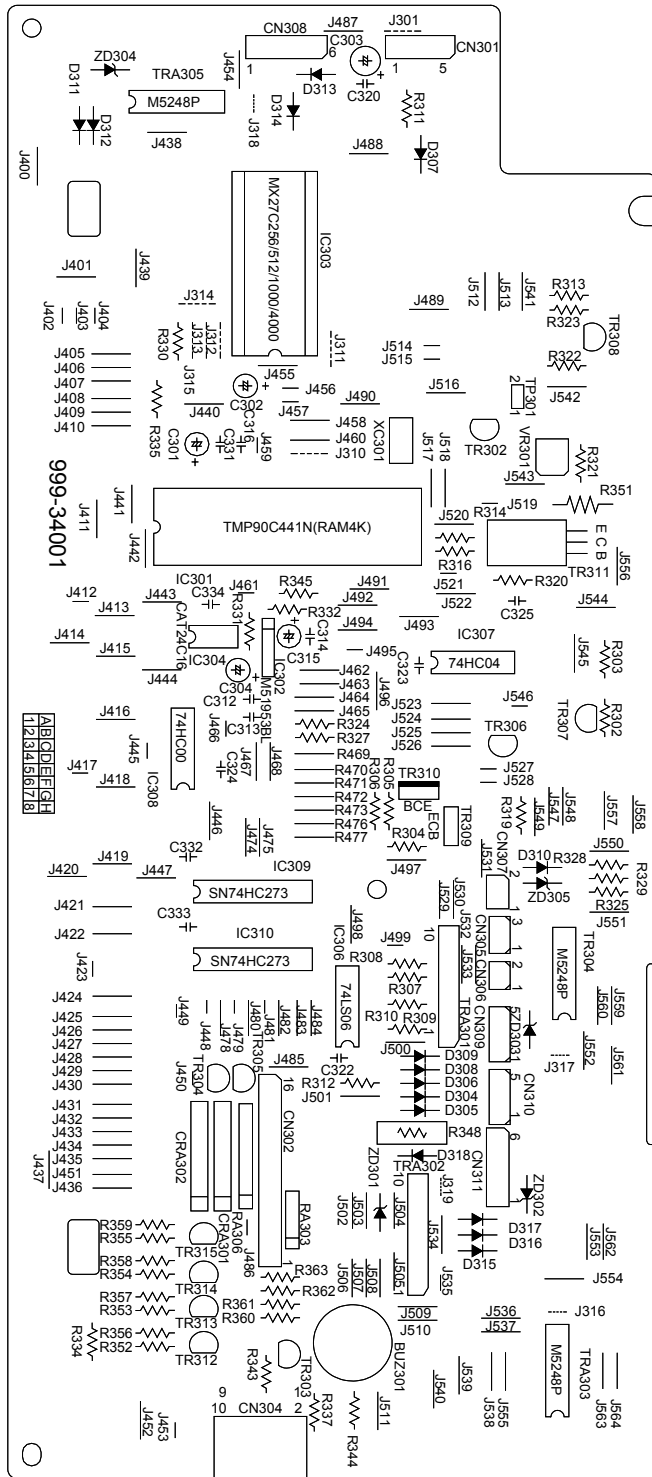
REF. NO.	FUNCTIONAL GROUP NAME PART CODE	CONTROL PCB ASSEMBLY FOR SECOND MODELS Q'TY	MODEL AE-710 DESCRIPTION
R302,319,333, 335,337-339, 343,345	330-30440-00-TA	9	RESISTOR 10KOHM 1/4W
R303	650-31160-00-TA	1	RESISTOR 3.3KOHM 1/4W
R304-310	330-30470-00-TA	9	RESISTOR 3KOHM 1/4W
R311,312, 321,324,327, 334,346,347	650-31170-00-TA	8	RESISTOR 100OHM 1/4W
R313,331	999-00122-00-TA	2	RESISTOR 1.2KOHM 1/4W
R314-316	353-30100-00-TA	3	RESISTOR 100KOHM 1/4W
R317	999-00752-00-TA	1	RESISTOR 7.5KOHM 1/4W
R318	220-31170-00-TA	1	RESISTOR 1.5KOHM 1/4W
R320	999-00911-00-TA	1	RESISTOR 910OHM 1/4W
R322	330-22300-00-TA	1	RESISTOR 2.2KOHM 1/4W
R323	999-00161-00-TA	1	RESISTOR 160OHM 1/4W
R325,330	340-30481-00-TA	2	RESISTOR 5.1KOHM 1/4W
R326,329	999-00241-00-TA	2	RESISTOR 240OHM 1/4W
R328,340	650-31180-00-TA	2	RESISTOR 39KOHM 1/4W
R336	999-00392-00-TA	1	RESISTOR 3.9KOHM 1/4W
R341	330-30450-00-TA	1	RESISTOR 1MOHM 1/4W
R348	999-12009	1	RESISTOR 20OHM 2W
R349,350	999-02095	2	RESISTOR 39OHM 1W
R351	999-02051	1	RESISTOR 0.47OHM 1W
RA301	650-31260	1	RESISTOR ARRAY 10KOHM X 8
RA302	355-32100	1	RESISTOR ARRAY 5.1KOHM X 5
RA303	999-02404	1	RESISTOR ARRAY 5.1KOHM X 4
RA304	355-32100	1	RESISTOR ARRAY 5.1KOHM X 5
RA305	355-32110	1	RESISTOR ARRAY 5.1KOHM X 8
RA306	999-02427-00-20	1	RESISTOR ARRAY 15KOHM X 8
D302,303	998-05450	2	DIODE 1S2076A TD (HITACHI)
D304-314	220-32090-30	11	DIODE S5566G (TOSHIBA)
ZD301-305	999-12917	5	ZENER DIODE 1AZ33 (TOSHIBA)
CN301	999-04531	1	CONNECTOR 5 PINS (WHITE)
CN302	999-04580	1	CONNECTOR 16 PINS
CN303	330-30750	1	CONNECTOR 20 PINS
CN304	999-04711	1	CONNECTOR 10 PINS
CN305	998-05710	1	CONNECTOR 3 PINS (RED)
CN306	999-04728	1	CONNECTOR 2 PINS
CN307	220-31290	1	CONNECTOR 2 PINS (WHITE)
CN308	220-32330	1	CONNECTOR 6 PINS (WHITE)
CN309	999-04810	1	CONNECTOR 5 PINS
CN310	999-04726	1	CONNECTOR 5 PINS
CN311	220-32340	1	CONNECTOR 6 PINS (RED)
TP301	999-04410-00-10	1	CONNECTOR 2 PINS
VR301	998-05690-00-20		VARIABLE RESISTOR 2KOHM
IC303	RQ-01631	1	EP ROM NO. LIST USA



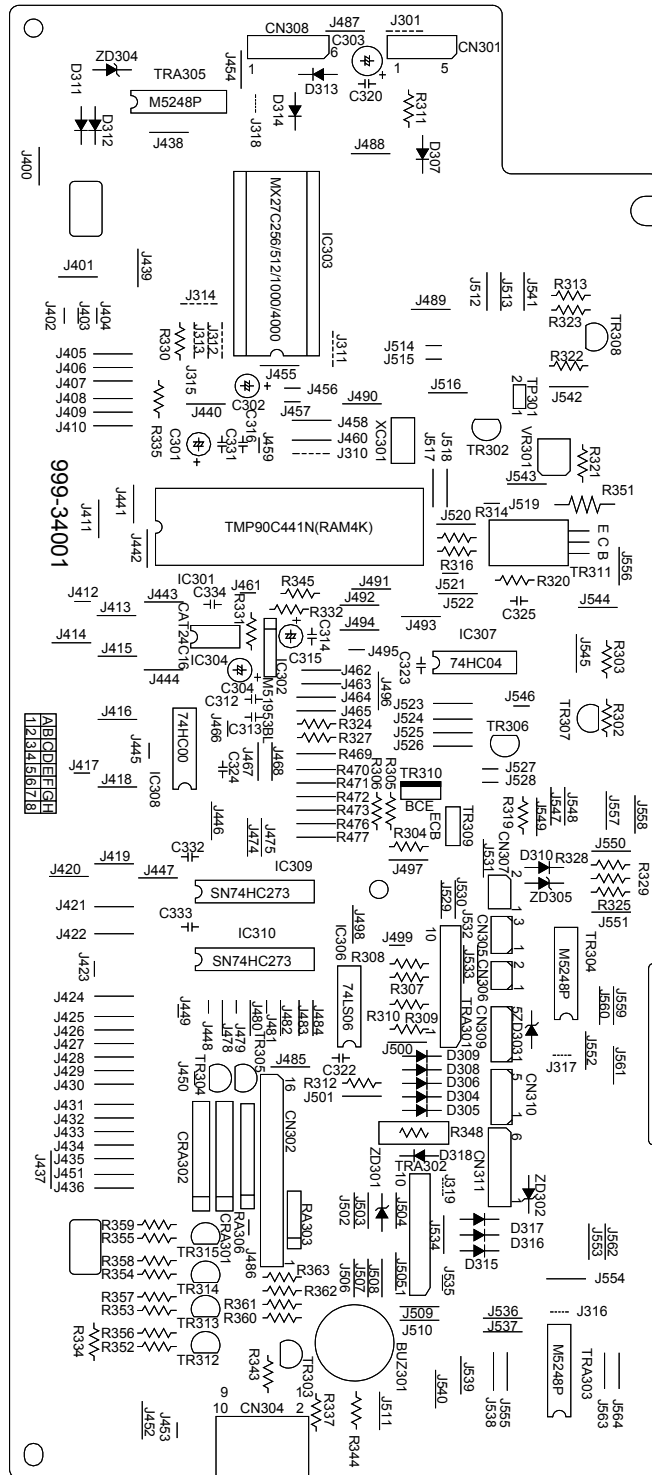
REF. NO.	FUNCTIONAL GROUP NAME PART CODE	CONTROL PCB ASSEMBLY FOR THIRD MODELS Q'TY	MODEL AE-710 DESCRIPTION
ASS'Y	615-31010	1 SET	CONTROL PCB ASSEMBLY A-1 (EP ROM:256K BIT)
	615-31020	1 SET	CONTROL PCB ASSEMBLY B-1 (EP ROM:512K BIT)
PCB	999-34000	1	CONTROL PCB
IC301	998-36020	1	CPU TMP90C441N (TOSHIBA)
IC302	999-04015	1	RESET IC M51953BL (MITSUBISHI)
IC303	*	1	EP ROM (*:REFER TO EP ROM NO. LIST.)
FOR IC303	220-31240-00-50	1	IC SOCKET 28 PINS DILB28P-8JK
IC304	998-35990	1	EEPROM CAT24WC16P (CATALYST)
	998-36030	1	EEPROM 24C16B/P (MICROCHIP)
IC306	999-03812	1	TTL 74LS06
IC307	999-03664	1	CMOS 74HC04
IC308	999-03663	1	CMOS 74HC00
IC309,310	998-11060	2	CMOS HD74HC273 (HITACHI)
		2	CMOS SN74H273N (T.I)
TRA301	999-03408-00-10	1	TRANSISTOR ARRAY UPA1437H (NEC)
	999-03408	1	TRANSISTOR ARRAY TH3J10 (SHINDENGEN)
TRA302	999-03422	1	TRANSISTOR ARRAY M5265P (MITSUBISHI)
TRA303-305	999-03412-00-20	3	TRANSISTOR ARRAY M5248P (MITSUBISHI)
TR302-306	999-03233	5	TRANSISTOR AA1A4M (NEC)
	999-03233-00-12	5	TRANSISTOR 2SC3656 (SANYO)
TR307	998-05320	1	TRANSISTOR 2SA1318S (SANYO)
	998-05340	1	TRANSISTOR 2SA1199 (ROHM)
TR308	998-05330	1	TRANSISTOR 2SC3331S (SANYO)
TR309	999-03258	1	TRANSISTOR 2SB1149 (NEC)
TR310	999-03200	1	TRANSISTOR 2SB938A (MATSUSHITA)
TR311	999-03235-00-37	1	TRANSISTOR 2SD1889 (ROHM)
	999-03235	1	TRANSISTOR 2SD1785 (SANKEN)
BUZ301	999-05541	1	BUZZER PKM17EPP-4001 (MURATA)
	999-05541-00-10	1	BUZZER PS1740PO2 (TDK)
XC301	999-05702	1	CERAMIC RESONATOR CST10.0MTW (MURATA)
CRA301,302	998-05360	2	CR ARRAY ARCL9C101J101K (MURATA)
C301,302, C304,315	999-02791	4	CAPACITOR 10UF 10V
	998-07840	4	CAPACITOR 10UF 16V
C303	999-02790	1	CAPACITOR 47UF 10V
	998-05100	1	CAPACITOR 47UF 16V
C312,313, C316,331	650-31280-00-MU	4	CAPACITOR 100PF 50V
C314	999-12540-00-MU	1	CAPACITOR 0.22UF 50V
C320,322- 324,332- 334	999-12502-00-MU	7	CAPACITOR 0.047UF 25V
C325	999-12738-00-10	1	CAPACITOR 0.1UF 50V



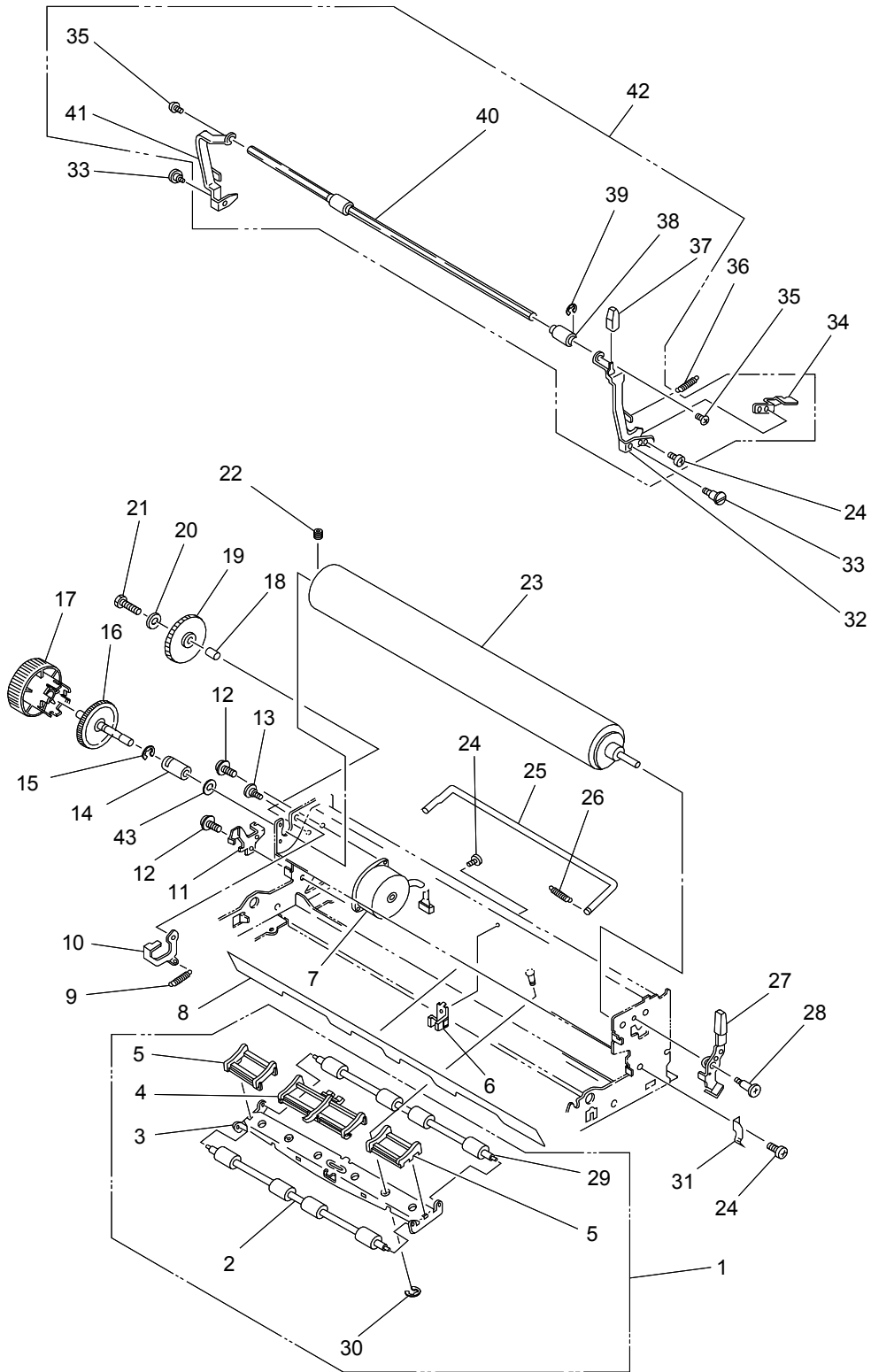
REF. NO.	FUNCTIONAL GROUP NAME PART CODE	CONTROL PCB ASSEMBLY FOR THIRD MODELS Q'TY	MODEL DESCRIPTION	AE-710
R302,319, 330,332, 335,343, 345	330-30440-00-TA	7	RESISTOR 10KOHMJ 1/4W	
R303	650-31160-00-TA	1	RESISTOR 3.3KOHMJ 1/4W	
R304-310, 344	330-30470-00-TA	8	RESISTOR 3KOHMJ 1/4W	
R311,312, 321,324, 327,334	650-31170-00-TA	6	RESISTOR 100OHMJ 1/4W	
R313	999-00122-00-TA	1	RESISTOR 1.2KOHMJ 1/4W	
R314,316	353-30100-00-TA	2	RESISTOR 100KOHMJ 1/4W	
R320	999-00911-00-TA	1	RESISTOR 910OHMJ 1/4W	
R322	330-22300-00-TA	1	RESISTOR 2.2KOHMJ 1/4W	
R323	999-00161-00-TA	1	RESISTOR 160OHMJ 1/4W	
R325,331, 337	340-30481-00-TA	3	RESISTOR 5.1KOHMJ 1/4W	
R329	999-00241-00-TA	1	RESISTOR 240OHMJ 1/4W	
R328	650-31180-00-TA	1	RESISTOR 39KOHMJ 1/4W	
R348	999-12009	1	RESISTOR 20OHMJ 2W	
R349,350	999-02095	2	METAL FILM RESISTOR 39OHMJ 1W	
R351	999-02051	1	METAL FILM RESISTOR 0.47OHMJ 1W	
RA303	999-02404	1	RESISTOR ARRAY 5.1KOHMJ X 4	
RA306	999-02427-00-20	1	RESISTOR ARRAY 15KOHMJ X 8	
D304-314	220-32090-00-30	11 11 11	DIODE S5566G (TOSHIBA) DIODE DSF10TE (SANYO) DIODE 1SR139-400 (ROHM)	
ZD301-305	999-12917	5	ZENER DIODE 1AZ33 (TOSHIBA)	
CN301	999-04531	1	CONNECTOR 5 PINS (WHITE)	
CN302	999-04580	1	CONNECTOR 16 PINS	
CN304	999-04711	1	CONNECTOR 10 PINS	
CN305	998-05710	1	CONNECTOR 12 PINS (RED)	
CN306	999-04728	1	CONNECTOR 2 PINS	
CN307	220-31290	1	CONNECTOR 2 PINS (WHITE)	
CN308	220-32330	1	CONNECTOR 6 PINS (WHITE)	
CN309	999-04810	1	CONNECTOR 5 PINS	
CN310	999-04726	1	CONNECTOR 5 PINS	
CN311	220-32340	1	CONNECTOR 6 PINS (RED)	
TP301	999-04410-00-10 998-17640	1 1	CONNECTOR 2 PINS CONNECTOR 2 PINS	
VR301	998-05960-00-20	1	VARIABLE RESISTOR 2KOHM	
IC303	RQ-05511 RQ-05531	1 1	ROM NO. LIST USA. NEW CANADIAN-FRENCH	



REF. NO.	FUNCTIONAL GROUP NAME PART CODE	CONTROL PCB ASSEMBLY FOR FOURTH MODELS Q'TY	MODEL DESCRIPTION	AE-710
ASS'Y	615-32010	1 SET	CONTROL PCB ASSEMBLY A-2 (EP ROM:256K BIT)	
	615-32020	1 SET	CONTROL PCB ASSEMBLY B-2 (EP ROM:512K BIT)	
PCB	999-34001	1	CONTROL PCB	
IC301	998-36020	1	CPU TMP90C441N (TOSHIBA)	
IC302	999-04015	1	RESET IC M51953BL (MITSUBISHI)	
IC303	RQ-05511	1	USA	
	RQ-05671	1	HISPANO	
	RQ-05531	1	NEW CANADIAN-FRENCH	
FOR IC303	220-31240	1	IC SOCKET (28 PINS)	
	999-04033	1	IC SOCKET (32 PINS)	
IC304	998-35990	1	EEPROM CAT24WC16P (CATALYST)	
	998-36030	1	EEPROM 24C16B/P (MICROCHIP)	
IC306	999-03812	1	TTL 74LS06	
IC307	999-03664	1	CMOS 74HC04	
IC308	999-03663	1	CMOS 74HC00	
IC309,310	998-11060	2	CMOS HD74HC273 (HITACHI) CMOS SN74HC273N (T.I.)	
TRA301	999-03408-00-10	1	TRANSISTOR ARRAY UPA1437H (NEC)	
	999-03408	1	TRANSISTOR ARRAY TH3J10 (SHINDENGEN)	
TRA302	999-53080	1	TRANSISTOR ARRAY STA403A (SANKEN)	
TRA303-305	999-03412-00-20	3	TRANSISTOR ARRAY M5248P (MITSUBISHI)	
TR302-306	999-03233	5	TRANSISTOR AA1A4M (NEC)	
	999-03233-00-12	5	TRANSISTOR 2SC3656 (SANYO)	
TR307,312-315	998-05320	5	TRANSISTOR 2SA1318 (SANYO)	
	998-05340	5	TRANSISTOR 2SA1199 (ROHM)	
TR308	998-05330	1	TRANSISTOR 2SC3331S (SANYO)	
TR309	999-03258	1	TRANSISTOR 2SB1149 (NEC)	
TR310	999-03200	1	TRANSISTOR 2SB938A(MATSUSHITA)	
TR311	999-03235-00-37	1	TRANSISTOR 2SD1889 (ROHM)	
	999-03235	1	TRANSISTOR 2SD1785 (SANKEN)	
BUZ301	999-05541	1	BUZZER PKM17EPP-4001 (MURATA)	
	999-05541-00-10	1	BUZZER PS1740PO2 (TDK)	
XC301	998-46190	1	CERAMIC RESONATOR CSTLS10MOG53-B0 (MURATA)	
CRA301,302	998-05360	2	CR ARRAY ARCL9C101J101K (MURATA)	
C301,302,315	999-02791	3	CAPACITOR 10UF 16V	
	998-07840		CAPACITOR 10UF 16V	
C303	999-02790	1	CAPACITOR 47UF 10V	
	998-05100	1		
C312,313,316,331	650-31280-00-MU	4	CAPACITOR 100PF 50V	
C314	999-12540-00-MU	1	CAPACITOR 0.22UF 50V	
C320,322-324,332-334	999-12502-00-MU	7	CAPACITOR 4700PF 25V	
C325	999-12738-00-10	1	CAPACITOR 0.1UF 50V	



REF. NO.	FUNCTIONAL GROUP NAME PART CODE	CONTROL PCB ASSEMBLY FOR FOURTH MODELS Q'TY	MODEL AE-710 DESCRIPTION
R302,319,330, 332,335,343, 345,352-355	330-30440-00-TA	11	RESISTOR 10KOHM 1/4W
R303	650-31160-00-TA	1	RESISTOR 3.3KOHM 1/4W
R304-310,344	330-30470-00-TA	8	RESISTOR 3KOHM 1/4W
R311,312,321, 324,327,334	650-31170-00-TA	6	RESISTOR 100OHM 1/4W
R313, 360-363	999-00122-00-TA	5	RESISTOR 1.2KOHM 1/4W
R314,316	353-30100-00-TA	2	RESISTOR 100KOHM 1/4W
R320	999-00911-00-TA	1	RESISTOR 910OHM 1/4W
R322	330-22300-00-TA	1	RESISTOR 2.2KOHM 1/4W
R323	999-00161-00-TA	1	RESISTOR 160OHM 1/4W
R325,331,337, 356-359	340-30481-00-TA	7	RESISTOR 5.1KOHM 1/4W
R329	999-00241-00-TA	1	RESISTOR 240OHM 1/4W
R328	650-31180-00-TA	1	RESISTOR 39KOHM 1/4W
R348	999-12009	1	RESISTOR 20OHM 2W
R351	999-02051	1	RESISTOR 0.47OHM 1W
RA303	999-02404	1	RESISTOR ARRAY 5.1KOHM X 4
RA306	999-02427-00-20	1	RESISTOR ARRAY 15KOHM X 8 1/8W
CRA301,302	998-05360	2	CR ARRAY ARCL9C101J101K
D304-318	220-32090-00-30	15	DIODE S5566G (TOSHIBA) DIODE DSF10TE (SANYO) DIODE 1SR139-400 (ROHM)
ZD301-305	999-12917	5	ZENER DIODE 1AZ33 (TOSHIBA)
CN301	999-04531	1	CONNECTOR 5 PINS (WHITE)
CN302	999-04580	1	CONNECTOR 16 PINS
CN304	999-04711	1	CONNECTOR 10 PINS
CN305	998-05710	1	CONNECTOR 12 PINS (RED)
CN306	999-04728	1	CONNECTOR 2 PINS
CN307	220-31290	1	CONNECTOR 2 PINS (WHITE)
CN308	220-32330	1	CONNECTOR 6 PINS (WHITE)
CN309	999-04810	1	CONNECTOR 5 PINS
CN310	999-04726	1	CONNECTOR 5 PINS
CN311	220-32340	1	CONNECTOR 6 PINS (RED)
TP301	999-04410-00-10	1	CONNECTOR 2 PINS
	998-17640	1	CONNECTOR 2 PINS
	998-14820	1	CONNECTOR 2 PINS
VR301	998-05960-00-20	1	VARIABLE RESISTOR 2KOHM
J316-319	998-04350	4	JUMPER WIRE A-2 (EP ROM:256K) ASSEMBLY
J311,312	999-05629	4	JUMPER WIRE B-2 (EP ROM:512K) ASSEMBLY
J310,312	999-05629	2	JUMPER WIRE



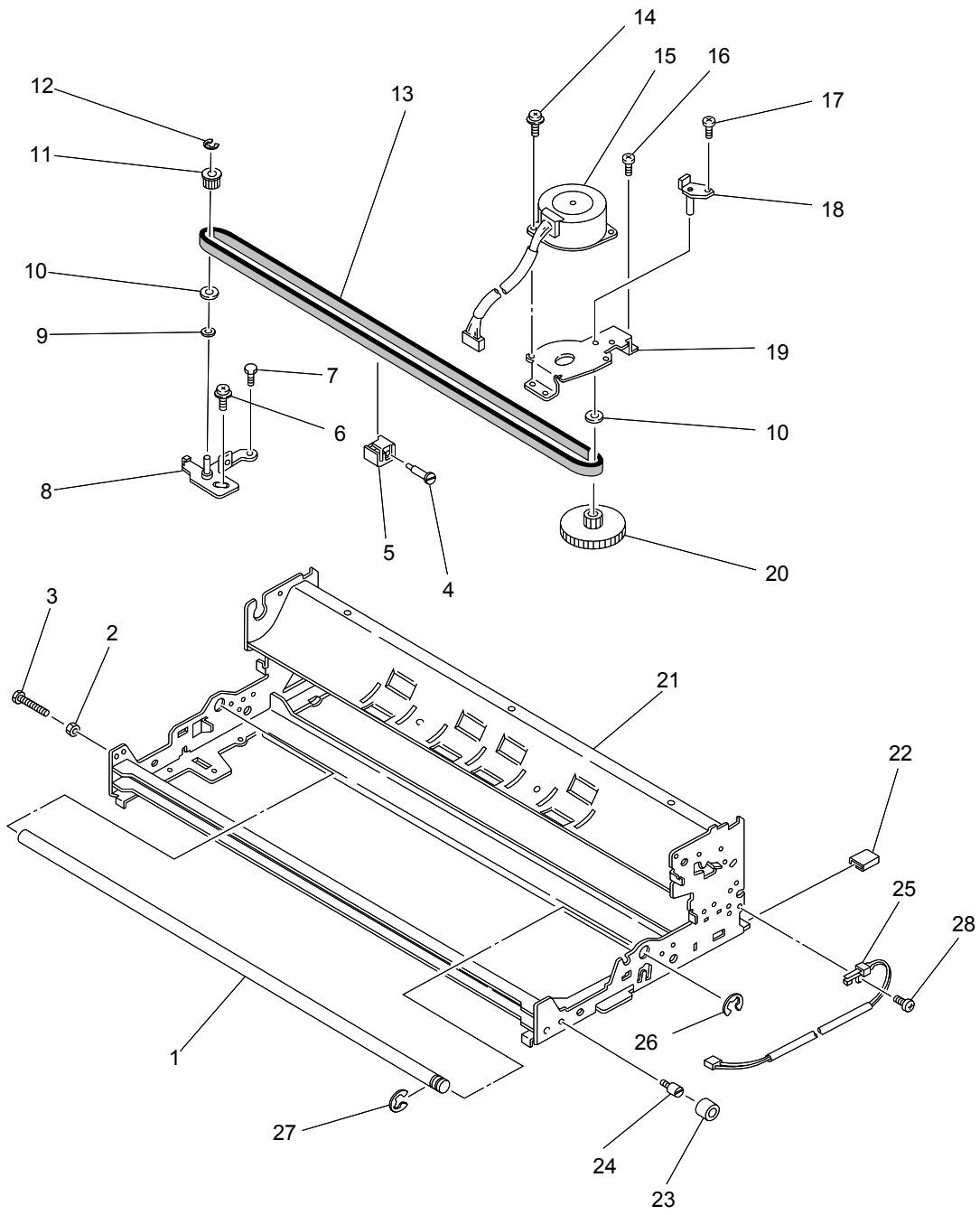
**FUNCTIONAL
GROUP NAME**

CHASSIS FRAME

MODEL

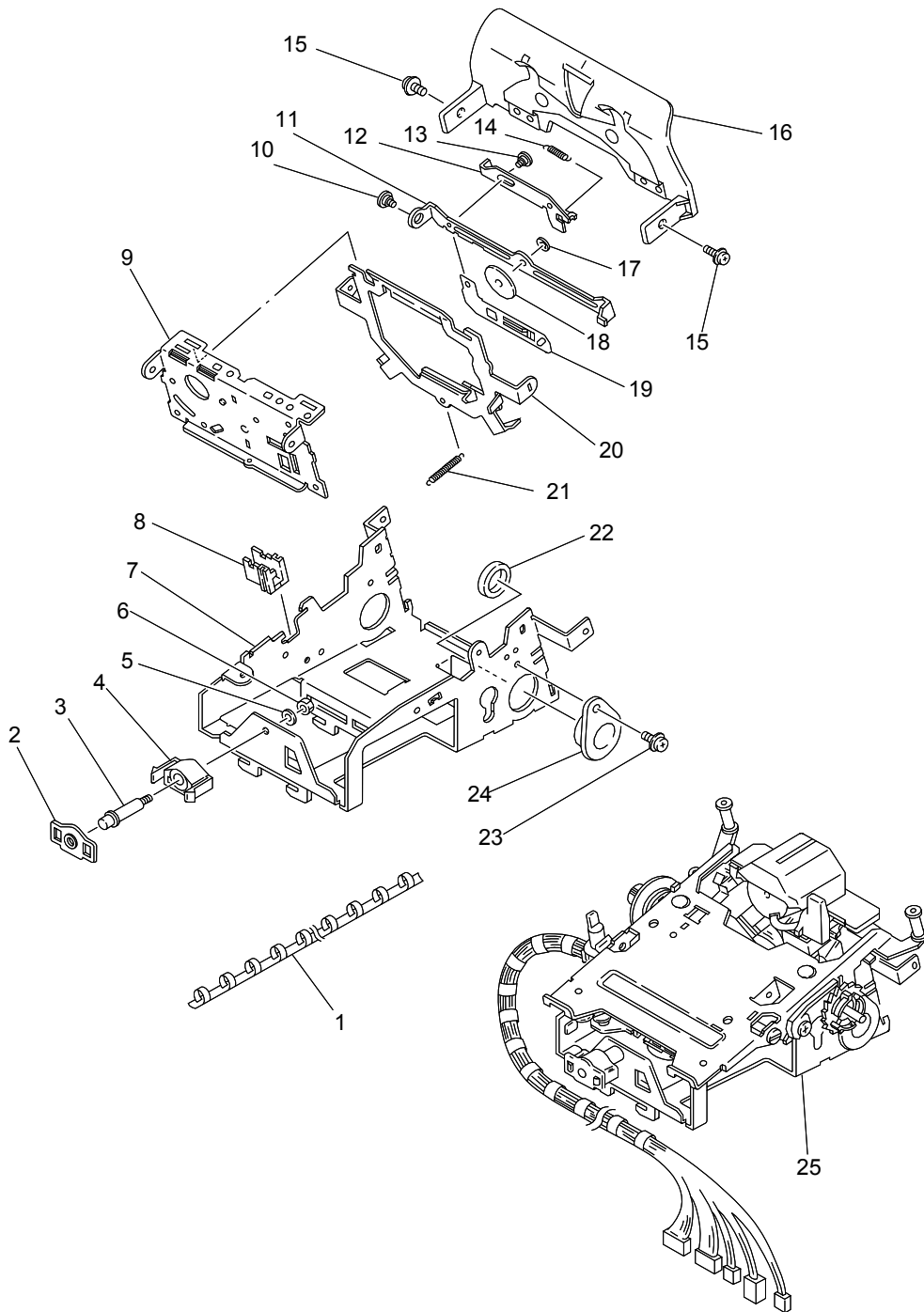
AE-710

REF. NO.	PART CODE	Q'TY	DESCRIPTION
1	330-61071-00-10	1 SET	FEED ROLLER HOLDER ASSEMBLY
2	330-61372	1	FEED ROLLER (FRONT)
3	330-61071	1	FEED ROLLER HOLDER
4	330-61342	1	PAPER GUIDE B
5	330-61330	2	PAPER GUIDE A
6	200-63140	1	RELEASE SHAFT BRACKET
7	190-63015	1	INDEX MOTOR
8	A01-61040	1	PAPER DEFLECTOR
9	610-63020	1	LOCK SPRING
10	610-63030	1	LOCK PLATE
11	410-61061	1	BAIL ARM STOPPER
12	551-10040	2	SCREW M3.0 X 5
13	610-63050	1	LOCK LEVER SCREW
14	610-63040	1	PLATEN METAL
15	501-70510	1	RETAINING RING D=5.0
16	A00-63070	1	PLATEN GEAR
17	A00-70100-22-00	1	PLATEN KNOB
18	200-63100	1	IDLE GEAR COLLAR
19	260-63090	1	INDEX IDLE GEAR
20	220-89160	1	WASHER 4.2 X 11 X 1
21	200-81030	1	SCREW M3.5 X 16
22	011-00150	2	SCREW M4.0 X 4
23	A00-63015	1	REMOVAL PLATEN
24	011-00010	3	SCREW M3.0 X 4
25	500-63130	1	PAPER RELEASE SHAFT
26	200-63230	1	RELEASE SHAFT SPRING
27	610-63010-22	1	RELEASE LEVER ASSEMBLY
28	200-63120	1	PAPER RELEASE SCREW
29	330-61381	1	FEED ROLLER (REAR)
30	011-02030	2	RETAINING RING D=2.5
31	200-63200	1	BAIL ARM LATCH SPRING
32	A00-63110-00-00	1	PAPER BAIL ARM (RIGHT)
33	200-63180	2	BAIL ARM SCREW
34	A00-63100	1	INJECTOR SWITCH LEVER
35	300-70110	2	SCREW M2.6 X 5
36	200-63191	2	BAIL ARM SPRING
37	200-70170-22	1	LEVER CAP
38	301-26061	3	PAPER SCALE ROLLER
39	350-61300	3	ROLLER SPRING
40	A00-63170-00-00	1	PAPER BAIL
41	A00-63120-00-00	1	PAPER BAIL ARM (LEFT)
42	A00-63175-22	1	PAPER SCALE ASSEMBLY
43	501-10891	1	WASHER 6.0 X 11 X 0.5

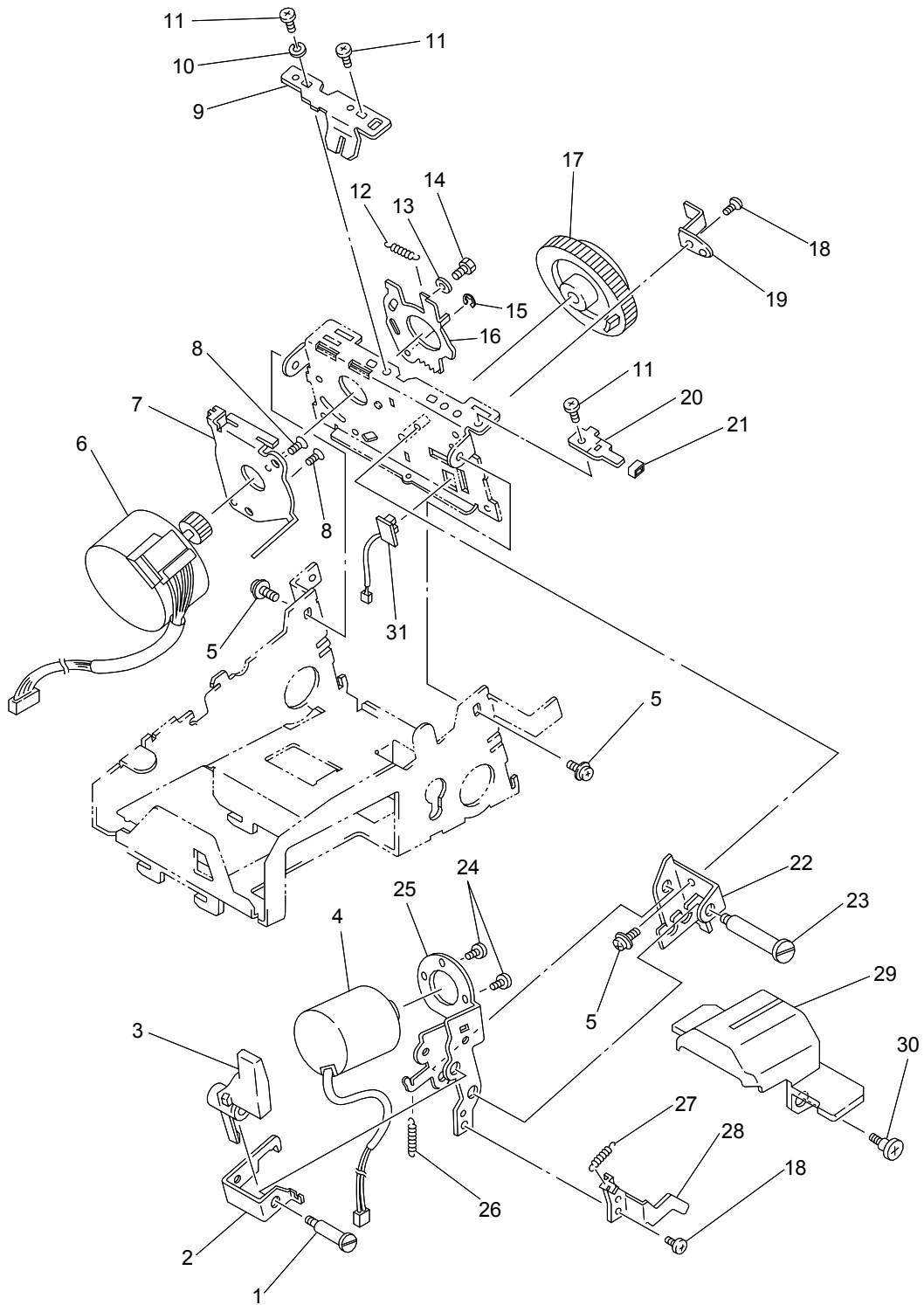


**FUNCTIONAL
GROUP NAME****CHASSIS AND CARRIER DRIVE****MODEL****AE-710**

REF. NO.	PART CODE	Q'TY	DESCRIPTION
1	500-61050	1	MAIN SHAFT
2	011-03510	1	NUT M3.0
3	200-58060	1	SCREW M3.0 X 22
4	200-62110	1	BELT HOLDER SCREW
5	200-62100	1	BELT HOLDER
6	330-60170	1	SCREW M4.0 X 8
7	200-58050	1	SCREW M4.0 X 6
8	200-62075	1	IDLE PULLEY BRACKET
9	200-62150	1	IDLE PULLEY SPACER
10	200-62140	2	IDLE PULLEY FLANGE
11	200-62060	1	IDLE PULLEY
12	011-02040	1	RETAINING RING D=3.0
13	500-62090	1	DRIVE BELT
14	200-81060	2	SCREW M3.0 X 6
15	190-62015	1	CARRIER MOTOR
16	820-90220	2	SCREW M3.5 X 6
17	501-70200	1	SCREW M3.0 X 5
18	200-62045	1	DRIVE SHAFT BRACKET
19	200-62001	1	CARRIER DRIVE BASE
20	200-62030	1	CARRIER DRIVE PULLEY
21	610-61130	1	CHASSIS FRAME ASSEMBLY
22	260-61200	2	FRAME SET RUBBER
23	260-61190	2	FRAME SIDE RUBBER
24	410-61180	2	FRAME SIDE BOSS
25	270-43015	1	PAPER INJECTOR SWITCH ASSEMBLY
26	260-61300	1	SPRING RETAINING RING D=7.0
27	220-89120	1	RETAINING RING D=7.0
28	820-90230	1	SCREW M2.6 X 5



	FUNCTIONAL GROUP NAME	CARRIER ASSEMBLY AND CARRIER FRAME	MODEL	AE-710
REF. NO.	PART CODE	Q'TY	DESCRIPTION	
1	070-50061	1	CARRIER CABLE GUIDE	
2	200-51051	1	CARRIER GUIDE BRACKET	
3	410-51020	1	CARRIER GUIDE PIN	
4	200-51040	1	CARRIER GUIDE	
5	011-05520	1	SPRING WASHER 3.5	
6	011-03520	1	NUT M3.5	
7	610-51010	1	CARRIER FRAME	
8	410-51040	1	CABLE HOLDER	
9	610-52200	1	PRINT HEAD BASE	
10	410-52170	1	WHEEL GUARD SCREW	
11	410-52110	1	WHEEL SUB GUARD	
12	200-56040	1	WHEEL RESET PLATE	
13	200-56050	1	RESET PLATE SCREW	
14	011-16050	1	BACK SPRING	
15	580-51280	2	SCREW M3.0 X 6	
16	410-00260	1	LOCATOR ASSEMBLY	
17	551-02570	1	PUSH NUT M2.0	
18	410-52130	1	WHEEL HOLD DISK	
19	H00-52055	1	WHEEL RESET SPRING	
20	410-52100	1	WHEEL MAIN GUARD	
21	410-52140	1	WHEEL GUARD SPRING	
22	330-52221	2	OIL HOLDER	
23	551-10040	2	SCREW M3.0 X 5	
24	070-51020	2	CARRIER METAL BRACKET	
25	610-50010	1	CARRIER ASSEMBLY	

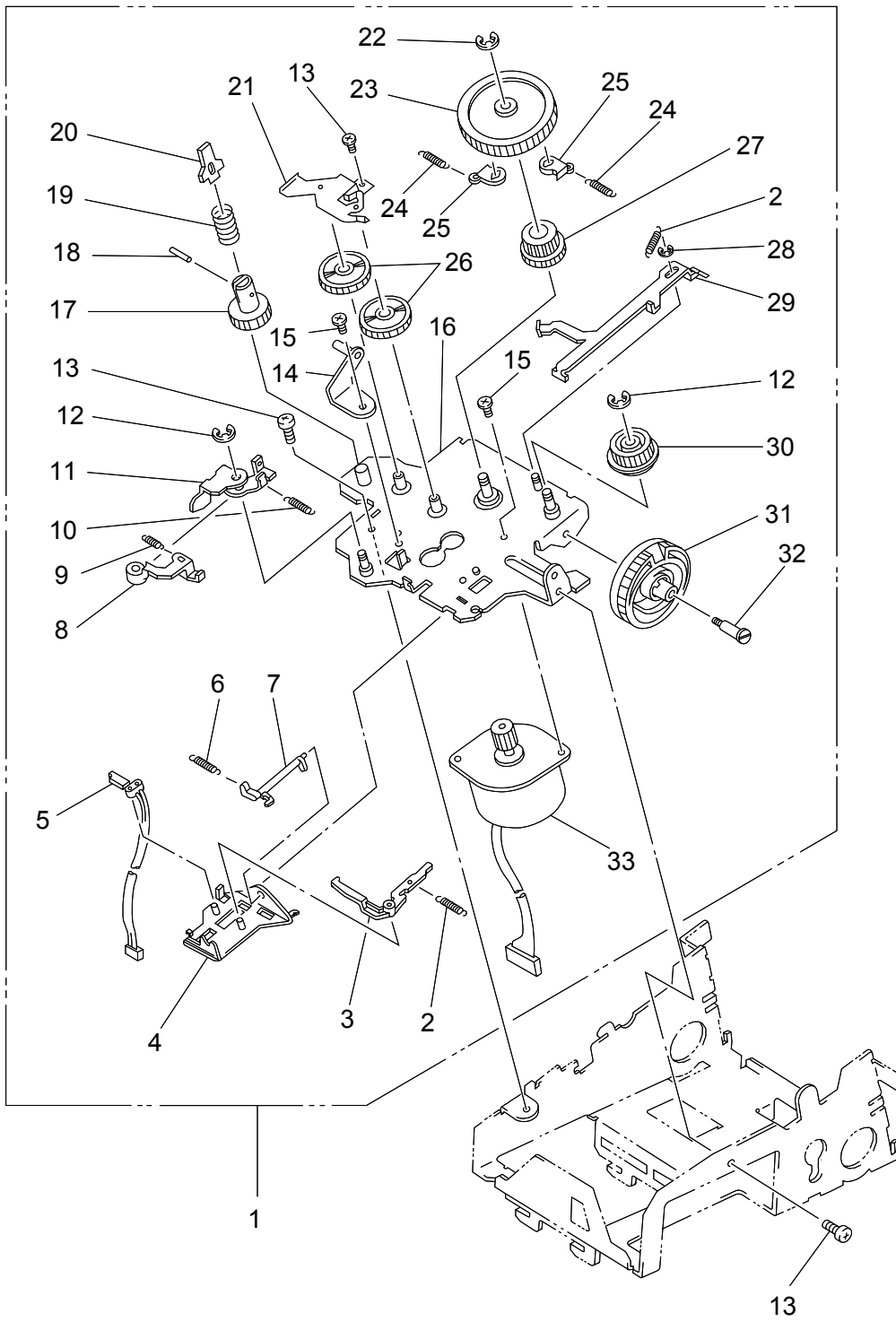


**FUNCTIONAL
GROUP NAME**

PRINT HEAD AND HAMMER DRIV MODEL

AE-710

REF. NO.	PART CODE	Q'TY	DESCRIPTION
1	410-53070	1	LOCK LEVER SCREW
2	410-53030	1	HAMMER LOCK LEVER
3	410-53050	1	HAMMER RELEASE LEVER
4	610-00140	1	HAMMER ASSEMBLY
5	820-90310	3	SCREW M3.0 X 4
6	410-52190	1	SELECTION MOTOR ASSEMBLY
7	410-00130	1	SELECTION MOTOR BRACKET
8	680-00160	2	SCREW M3.0 X 4
9	410-52070	1	HAMMER ADJUST PLATE
10	011-05510	1	SPRING WASHER 3
11	011-00160	3	SCREW M3.0 X 4
12	410-52220	1	SELECTION BRACKET SPRING
13	301-27420	1	WASHER 3 X 8 X 0.5
14	410-52180	1	SCREW M3.0 X 4
15	011-02030	1	RETAINING RING D=2.5
16	410-52040	1	SELECTION ADJUST PLATE
17	410-52020	1	WHEEL HOLDER
18	011-00010	1	SCREW M3.0 X 4
19	410-52060	1	WHEEL HOLDER STOPPER
20	410-52120	1	STOPPER GUARD
21	551-00230	1	PAD
22	410-53010	1	HAMMER BASE
23	410-53060	1	HAMMER BASE SCREW
24	200-81020	2	SCREW M2.6 X 6
25	410-53020	1	HAMMER BRACKET
26	410-53080	1	HAMMER BRACKET SPRING
27	410-53090	1	LOCK LEVER SPRING
28	410-53040	1	WHEEL RELEASE ARM
29	005-17001	1	HAMMER COVER
30	011-23551	1	SCREW M3.0 X 4
31	610-56015	1	SENSOR PCB ASSEMBLY

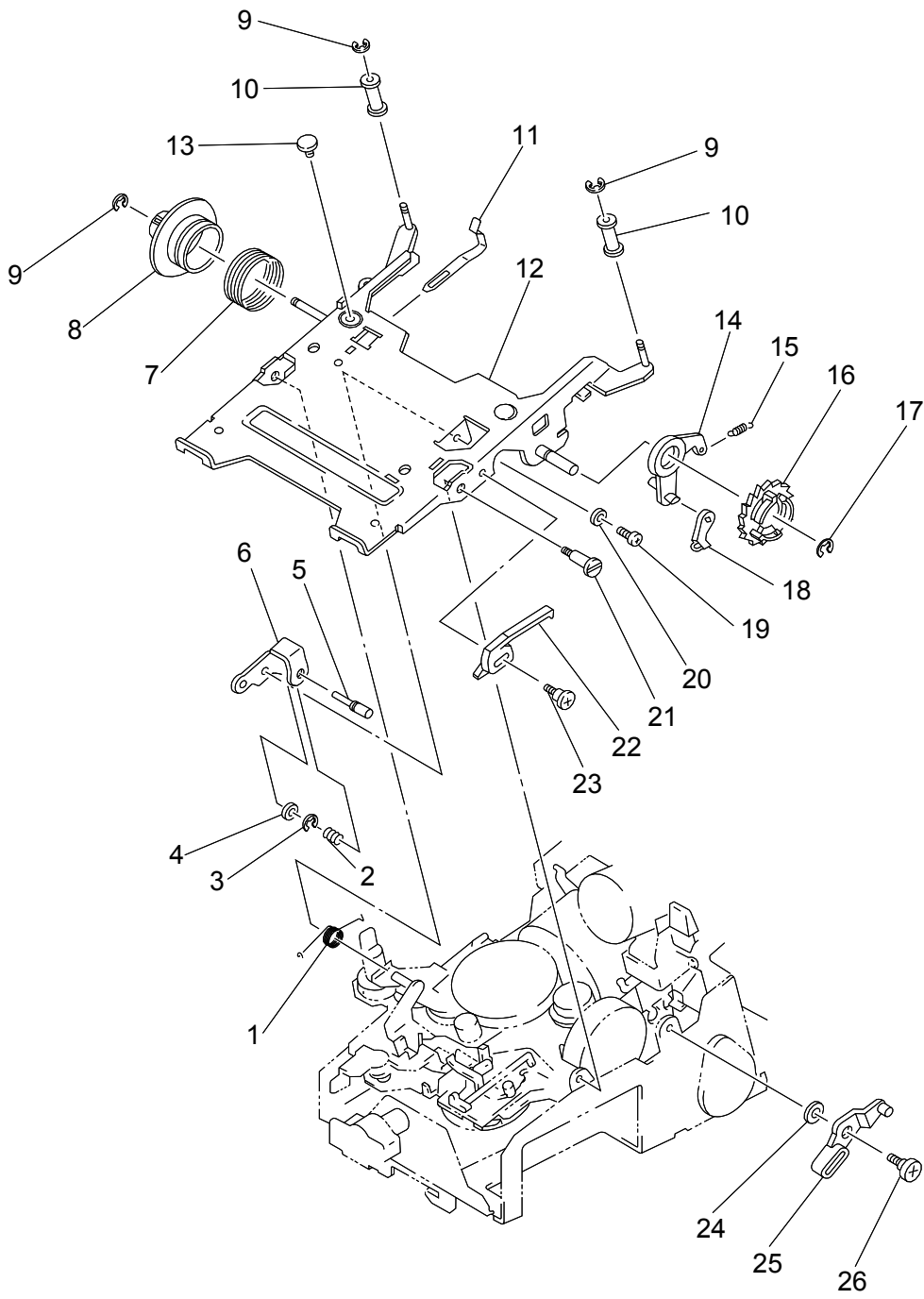


**FUNCTIONAL
GROUP NAME**

RIBBON DRIVE BASE ASSEMBLY MODEL

AE-710

REF. NO.	PART CODE	Q'TY	DESCRIPTION
1	410-00050	1 SET	RIBBON DRIVE BASE ASSEMBLY
2	200-55070	2	CORRECT FEED ARM SPRING
3	270-54360	1	COLLECT SENSOR LEVER
4	270-54350	1	SENSOR BRACKET
5	410-57120	1	LEAF SWITCH ASSEMBLY
6	270-54390	1	RELEASE ARM SPRING
7	270-54370	1	RELEASE ARM
8	270-54380	1	CARRIER RESET LEVER
9	270-54400	1	RESET LEVER SPRING
10	011-16050	1	BACK SPRING
11	410-54150	1	CARRIER RESET CRANK
12	011-02030	2	RETAINING RING D=2.5
13	011-00010	3	SCREW M3.0 X 4
14	410-00160	1	RIBBON BASE BRACKET
15	501-70200	2	SCREW M3.0 X 5
16	410-00150	1	RIBBON DRIVE BASE
17	200-54080	1	RIBBON FEED STEM
18	200-54110	1	SPRING PIN
19	200-54100	1	FEED STEM SPRING
20	200-54091	1	FEED STEM PLATE
21	200-54270	1	RIBBON GEAR COVER
22	011-02040	1	RETAINING RING D=3.0
23	410-54090	1	RIBBON MAIN GEAR
24	200-54050	2	FEED PAWL SPRING
25	200-54040	2	RIBBON FEED PAWL
26	200-54070	1	FEED IDLE GEAR
27	200-54060	1	RIBBON FEED RATCHET
28	011-02010	1	RETAINING RING D=1.5
29	410-54030	1	WHEEL SENSE LEVER
30	410-54100	1	LIFT IDLE GEAR
31	270-54130	1	RIBBON LIFT CAM
32	410-54070	1	LIFT CAM SCREW
33	410-54080	1	RIBBON MOTOR



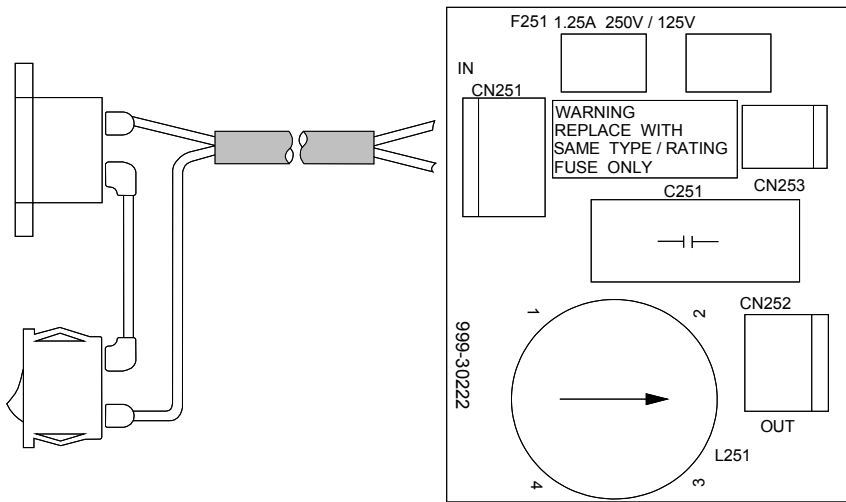
**FUNCTIONAL
GROUP NAME**

RIBBON CASSETTE BASE

MODEL

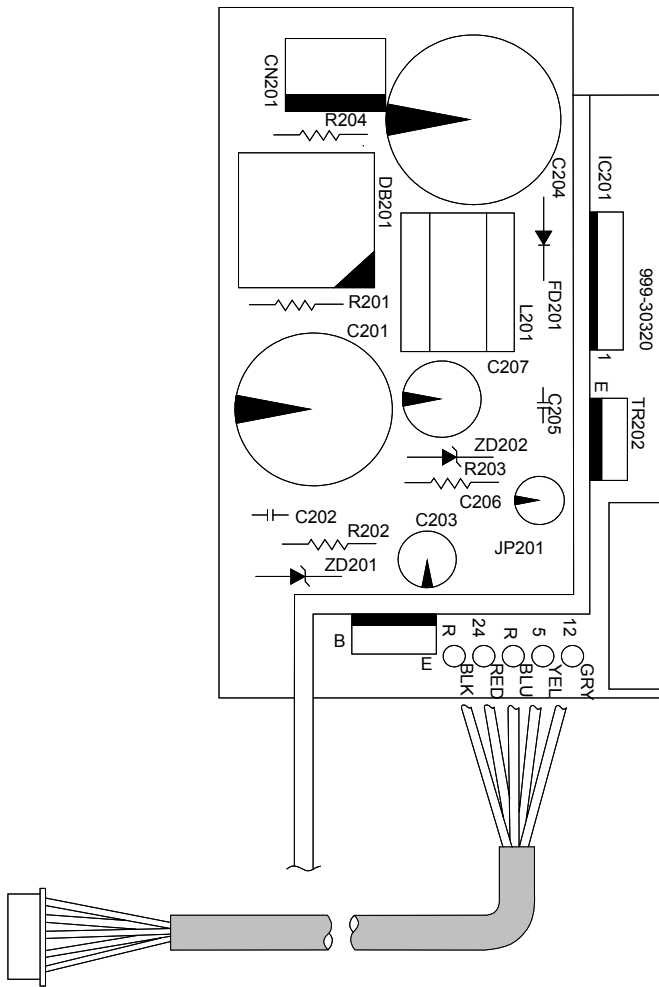
AE-710

REF. NO.	PART CODE	Q'TY	DESCRIPTION
1	200-55170	1	CASSETTE BASE SPRING
2	011-19670	1	SPRING COIL
3	011-02040	1	RETAINING RING D=3.0
4	270-55210	1	CAM FOLLOWER SPACER
5	410-55040	1	CAM FOLLOWER PIN
6	200-55010	1	CAM FOLLOWER BRACKET
7	410-55050	1	BRAKE SPRING
8	330-52041	1	RIBBON CORRECT HOLDER
9	011-02020	3	RETAINING RING D=2.0
10	200-55030	2	CORRECT ROLLER
11	410-55030-01	1	CASSETTE HOLD SPRING
12	610-55120	1	RIBBON CASSETTE BASE
13	270-55220	2	CASSETTE BASE RUBBER
14	270-55050	1	CORRECT FEED ARM
15	200-55070	1	CORRECT FEED SPRING
16	330-52030	1	CORRECT FEED RATCHET
17	011-02030	1	RETAINING RING D=2.5
18	200-55060	1	CORRECT FEED PAWL
19	011-00160	1	SCREW M3.0 X 4
20	011-05510	1	SPRING WASHER 3
22	410-55020	1	CASSETTE BASE SCREW
22	200-55080	1	CORRECT STOP PAWL
23	200-55130	1	STOP PAWL SCREW
24	410-76010	1	WASHER 3.0 X 7 X 1.6
25	270-55190	1	CORRECT FEED CRANK
26	270-55200	1	CORRECT CRANK SCREW



**FUNCTIONAL
GROUP NAME****NOISE FILTER PCB ASSEMBLY****MODEL****AE-710**

REF. NO.	PART CODE	Q'TY	DESCRIPTION
ASS'Y	A00-23000	1 SET	NOISE FILTER PCB ASSEMBLY (120V)
PCB	999-30222	1	NOISE FILTER PCB
L251	999-05548	1	CHOCKING COIL SC-02-10F
C251	999-02778-00-00	1	CAPACITOR 0.1UF 250V
F251	998-05480	1	FUSE 1.25A 120V
FOR F251	220-32280	2	FUSE CLIP
CN251	500-22040	1	SWITCH ASSEMBLY (120V)
CN252	999-04539	1	CONNECTOR 2 PINS

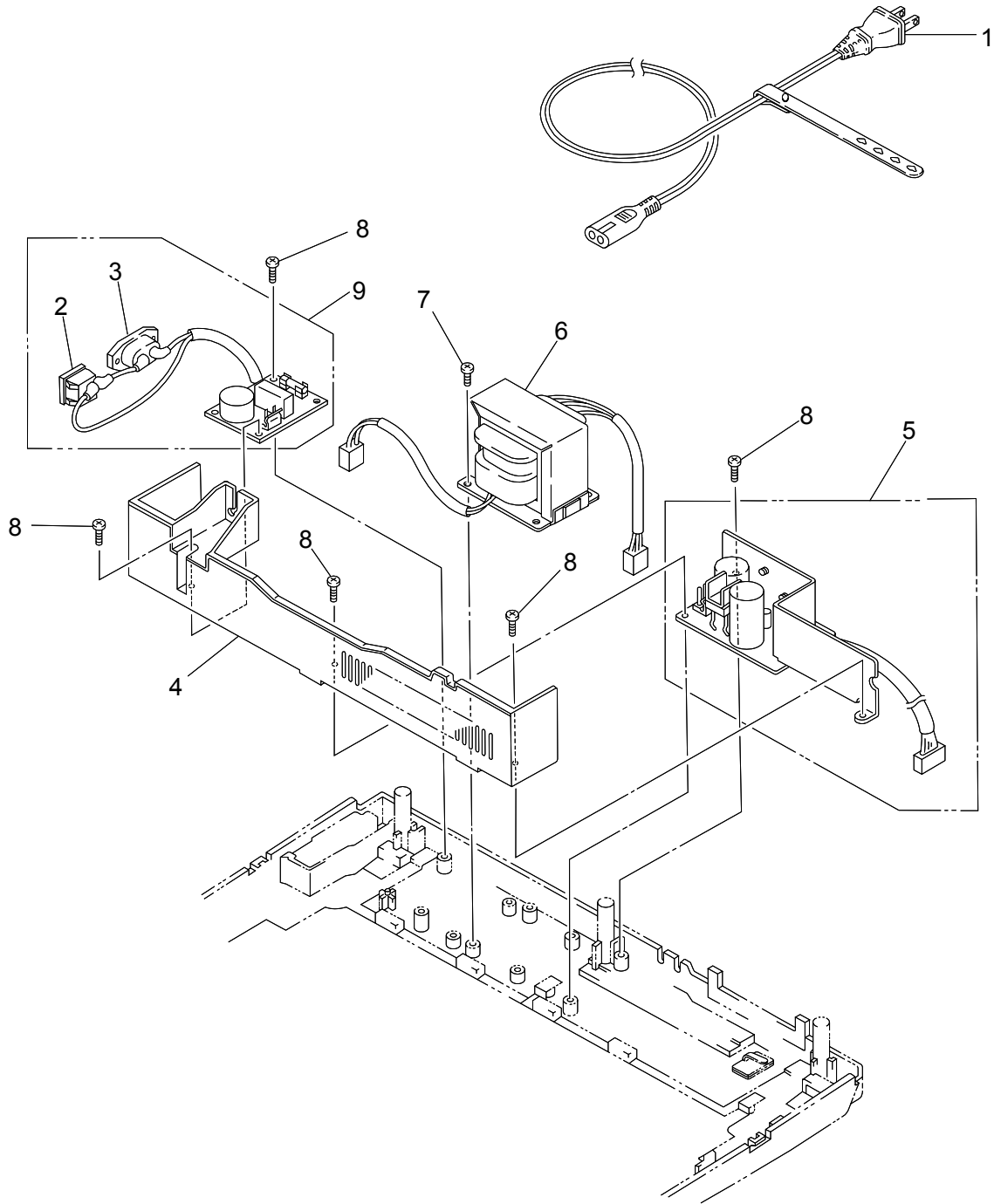


**FUNCTIONAL
GROUP NAME**

POWER SUPPLY PCB ASSEMBLY MODEL

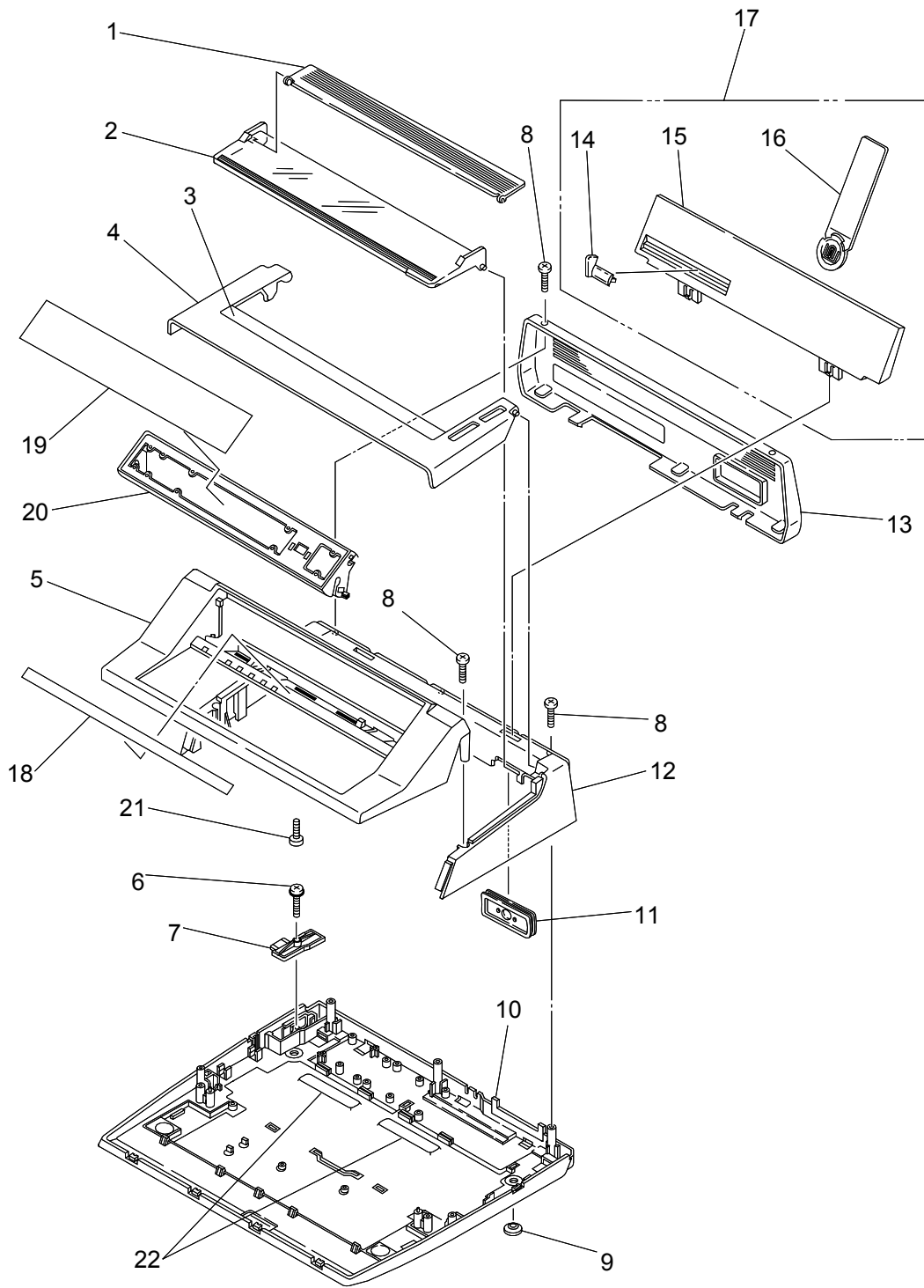
AE-710

REF. NO.	PART CODE	Q'TY	DESCRIPTION
ASS'Y	500-20001	1 SET	POWER SUPPLY PCB ASSEMBLY
PCB	999-30320	1	POWER SUPPLY PCB
IC201	999-04013	1	REGULATOR STR20005 (SANKEN)
FOR IC201	220-89060	1	SCREW
TR201,202	999-03235	2	TRANSISTOR 2SD1785 (SANKEN)
DB201	330-21160	1	DIODE BRIDGE S4VB20 (SHINDENGEN)
FOR DB201	220-32410	1	COOLING PLATE FOR DIODE BRIDGE
FD201	999-02956	1	FAST RECOVERY DIODE (1.2A 200V)
ZD201	220-32100	1	ZENER DIODE HZ27-1 (HITACHI)
ZD202	220-32110-00-21	1	ZENER DIODE EQA02-12B5 (FUJI)
L201	999-05545	1	CHOKING COIL CC400 (TDK)
R201	999-00153-00-TA	1	RESISTOR 15KOHM 1/4W
R202	650-31160-00-TA	1	RESISTOR 3.3KOHM 1/4W
R203	330-22300-00-TA	1	RESISTOR 2.2KOHM 1/4W
R204	999-00562-00-TA	1	RESISTOR 5.6KOHM 1/4W
C201	999-02731	1	CAPACITOR 3300UF 50V
	999-53070	1	CAPACITOR 3300UF 50V
C202	999-12724	1	CAPACITOR 0.047UF 50V
C203	998-30270	1	CAPACITOR 47UF 50V
	999-02776	1	CAPACITOR 47UF 35V
C204	998-30260	1	CAPACITOR 4700UF 35V
	999-02733	1	CAPACITOR 4700UF 25V
C205	999-12728	1	CAPACITOR 0.01UF 50V
C206	999-02777	1	CAPACITOR 22UF 16V
	999-02777	1	CAPACITOR 22UF 16V
C207	999-02713-00-10	1	CAPACITOR 1000UF 10V
	998-53050	1	CAPACITOR 1000UF 10V
CN201	999-04535	1	CONNECTOR 3 PINS
	011-00100	1	SCREW M3.0 X 6
	034-70020	3	SCREW M3.0 X 10 (TO FIX DB201, TR201 AND TR202)
	200-20150	1	COOLING PLATE
	500-20015	1	LEAD WIRE ASSEMBLY

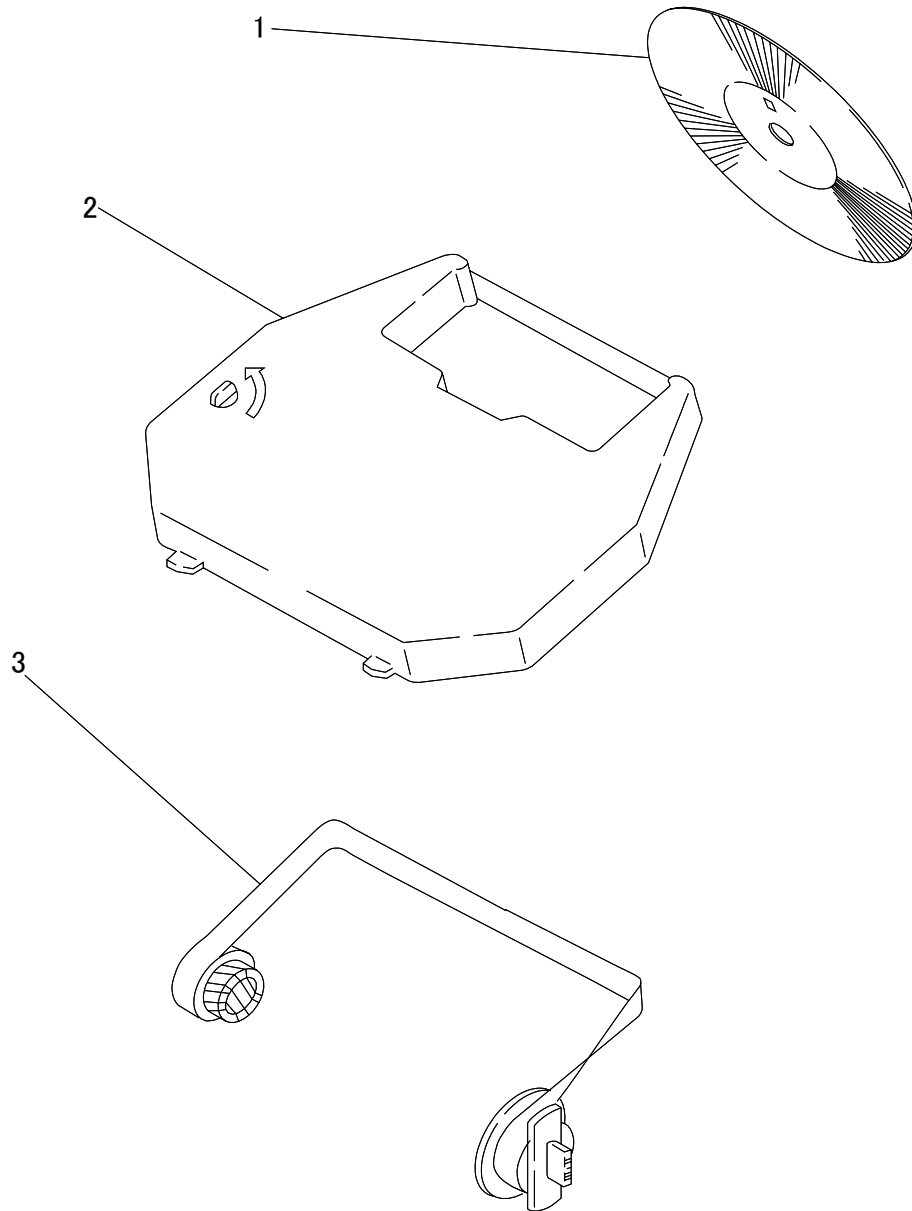


**FUNCTIONAL
GROUP NAME****POWER SUPPLY****MODEL****AE-710**

REF. NO.	PART CODE	Q'TY	DESCRIPTION
1	330-20300-00-20	1	POWER SUPPLY CORD (UL/CSA)
2	500-22040	1	SWITCH ASSEMBLY 120V
3	998-05390	1	POWER INLET
4	A00-71100-00-00	1	TRANSFORMER COVER
5	500-20001	1	POWER SUPPLY PCB ASSEMBLY
6	H00-23010-00-00	1	TRANSFORMER ASSEMBLY (120V)
7	502-71020	4	SCREW M4.0 X 8
8	200-71040	5	SCREW M3.0 X 10
9	A00-23000	1	NOISE FILTER PCB ASSY (120V)



	FUNCTIONAL GROUP NAME	HOUSING	MODEL	AE-710
REF. NO.	PART CODE	Q'TY	DESCRIPTION	
1	390-70391-22-00	1	GLARE SHIELD	
2	A00-70166-00-00	1	NOISE COVER	
3	190-79070	1	MARGIN SHEET	
4	005-53020	1	TOP COVER ASSEMBLY	
5	504-70011-44	1	FRONT COVER ASSEMBLY	
6	330-00060	1	SCREW M3.0 X 16	
7	500-71090-19	1	SWITCH COVER	
8	200-71060	7	SCREW M3.0 X 16	
9	100-71040	2	RUBBER LEG	
10	005-74028	1	BOTTOM PAN ASSEMBLY WITHOUT SHIELD PLATE SPONGE (L)	
11	355-70270-19	1	CONNECTOR HOLDER	
12	500-70150-44	1	MAIN COVER	
13	005-72432	1	BACK COVER ASSEMBLY (120V)	
14	400-70411-22	1	PAPER GUIDE	
15	005-11920	1	PAPER STAND	
16	005-11921	1	PAPER SUPPORT	
17	190-70360-22-00	1	PAPER STAND ASSEMBLY	
18	190-79700	1	FUNCTION SHEET (USA)	
	610-79760	1	FUNCTION SHEET (NEW CANADIAN-FRENCH)	
19	610-79550	1	LCD MASK	
20	505-44401-19-00	1	LCD CASE	
21	200-71040	2	SCREW M3.0 X 10 (FOR SCREW ON A KEYBOARD ASSEMBLY)	
22	100-71080	2	SHIELD PLATE SPONGE (LARGE)	



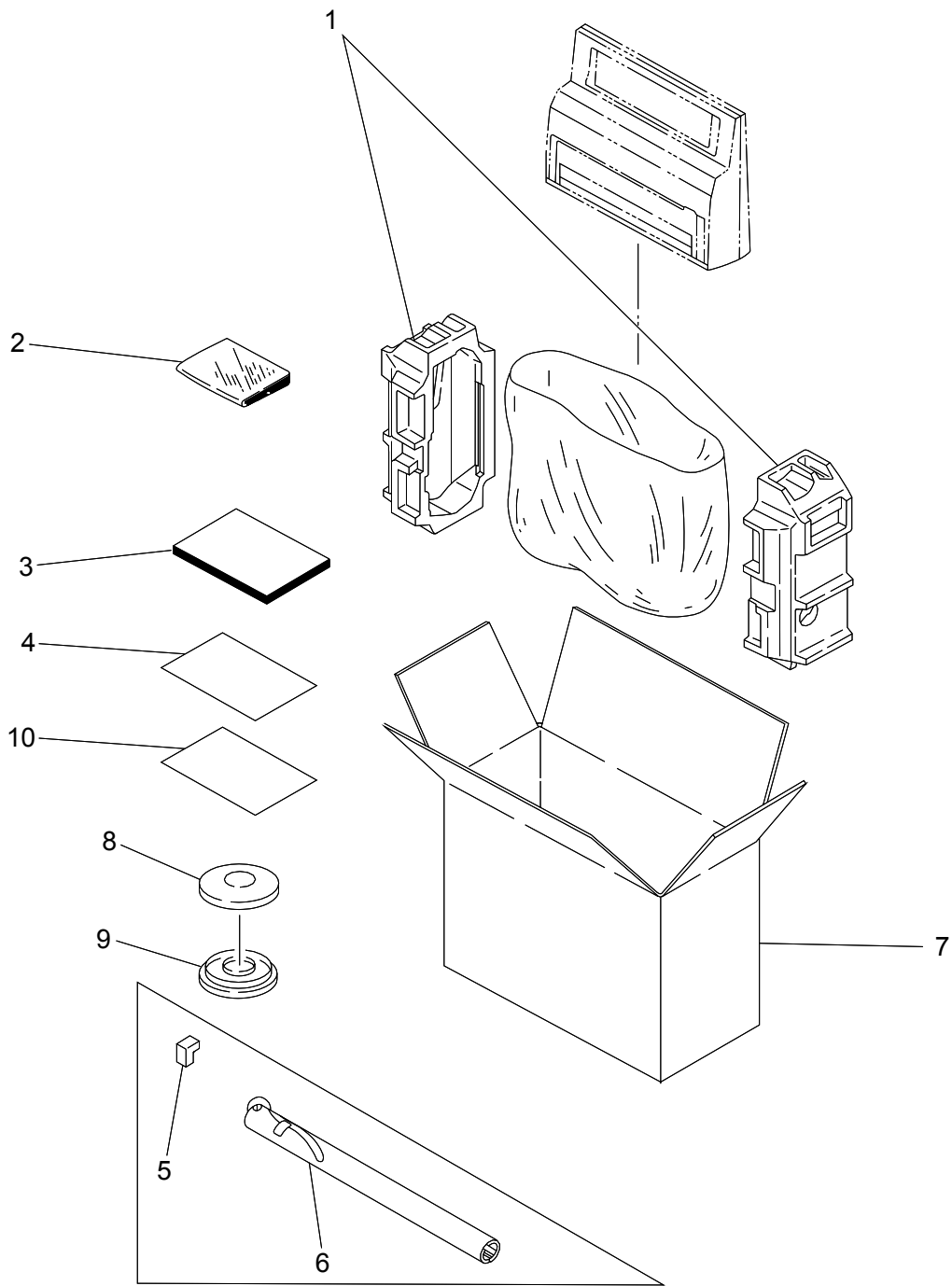
**FUNCTIONAL
GROUP NAME**

ACCESSORIES

MODEL AE-710

REF. NO.	PART CODE	Q'TY	DESCRIPTION
1	*	1	PRINTWHEEL
2	100-75206	1	CORRECTABLE RIBBON CASSETTE
3	330-75105-00-FL	1	LIFT-OFF CORRECTION TAPE

* SPECIFY TYPE STYLE WHEN ORDERING.



	FUNCTIONAL GROUP NAME	PACKING	MODEL	AE-710
REF. NO.	PART CODE	Q'TY	DESCRIPTION	
1	001-93620	1 SET	SIDE PACKING	
2	330-80210	1	DUST COVER	
3	001-02286	1	UNPACKING INSTRUCTION	
4	001-02400	1	INSTRUCTION MANUAL (ENGLISH) FOR 2ND MODELS	
	001-02293	1	INSTRUCTION MANUAL (FRENCH) FOR 2ND MODELS	
	001-02294	1	INSTRUCTION MANUAL (SPANISH) FOR 2ND MODELS	
	001-02548	1	INSTRUCTION MANUAL (ENGLISH) FOR 3RD/4TH MODELS	
	001-02545	1	INSTRUCTION MANUAL (FRENCH) FOR 3RD/4TH MODELS	
	001-02546	1	INSTRUCTION MANUAL (SPANISH) FOR 3RD/4TH MODELS	
5	610-80020	1	CASSETTE RIBBON PACKING	
6	500-80015	1	CARRIER PROTECTOR	
7	001-61818	1	CARTON BOX	
8	330-78230	1	WHEEL CASE UPPER	
9	330-78300	1	WHEEL CASE BOTTOM	
10	001-02573	1	WARRANTY SHEET	

Printed in Japan
001-03121-03
041130
AE-610NU